



**POLYURETHANE
MACHINERY
CORPORATION**



Classic
**PH/PHX-25
PH/PHX-40
Proportioners**

**For Professional Use Only
Not approved for use in explosive
atmosphere locations**

Electrical Diagrams

Ref. # MN-04013

Revision 3.8

January 12, 2021



Polyurethane Machinery Corp.

Corporate: 1 Komo Dr, Lakewood, NJ 08701

Manufacturing: 2 Komo Dr, Lakewood, NJ 08701

Phone: 732-415-4400

Fax: 732-364-4025

URL: <http://www.polymacusa.com>



Before installing the PH Series Proportioner and start-up, carefully read all the technical and safety documentation included in this manual. Pay special attention to the information in order to know and understand the operation and the conditions of use of the PH Series Proportioner. All of the information is aimed at improving user safety and avoiding possible breakdowns from the incorrect use of the PH Series Proportioner.

TABLE OF CONTENTS

WARRANTY1

SAFETY AND HANDLING3

220 VAC – 1 PHASE.....5

Component Identification 5

 Front Panel (ALL CONSOLES)5

 Bottom Plate (PH-25 & PHX-25 ONLY)7

 Bottom Plate (PH-40 & PHX-40 ONLY)10

Point to Point Diagrams (PH-25 & PHX-25 ONLY) 13

 Incoming Power.....13

 Heater Circuit14

 Motor Circuit15

Point to Point Diagrams (PH-40 & PHX-40 ONLY) 16

 Incoming Power.....16

 Heater Circuit17

 Motor Circuit18

Point to Point Diagrams (ALL CONSOLES) 19

 24 VDC Power Circuit19

 Pump Circuit20

 Pressure Balance Control Circuit21

Ladder Diagrams (ALL CONSOLES) 22

 Incoming Power.....22

 Heater Circuit23

 Motor Circuit25

 24 VDC Power Circuit26

 Pump Circuit27

 Pressure Balance Control Circuit28

220 VAC – 3 PHASE.....30

Component Identification 30

 Front Panel (ALL CONSOLES)30

 Bottom Plate (PH-25 & PHX-25 ONLY)32

 Bottom Plate (PH-40 & PHX-40 ONLY)35

Point to Point Diagrams (PH-25 & PHX-25 ONLY)	38
Incoming Power	38
Heater Circuit	39
Motor Circuit	40
Point to Point Diagrams (PH-40 & PHX-40 ONLY)	41
Incoming Power	41
Heater Circuit	42
Motor Circuit	43
Point to Point Diagrams (ALL CONSOLES)	44
24 VDC Power Circuit	44
Pump Circuit	45
Pressure Balance Control Circuit	46
Ladder Diagrams (ALL CONSOLES)	47
Incoming Power	47
Heater Circuit	48
Motor Circuit	50
24 VDC Power Circuit	51
Pump Circuit	52
Pressure Balance Control Circuit	53
400 VAC	55
Component Identification	55
Front Panel (ALL CONSOLES)	55
Bottom Plate (PH-25 & PHX-25 ONLY)	57
Bottom Plate (PH-40 & PHX-40 ONLY)	60
Point to Point Diagrams (PH-25 & PHX-25 ONLY)	63
Incoming Power	63
Heater Circuit	64
Motor Circuit	65
Point to Point Diagrams (PH-40 & PHX-40 ONLY)	66
Incoming Power	66
Heater Circuit	67
Motor Circuit	68
Point to Point Diagrams (ALL CONSOLES)	69
24 VDC Power Circuit	69
Pump Circuit	70
Pressure Balance Control Circuit	71
Ladder Diagrams – (ALL CONSOLES)	72

Incoming Power.....	72
Heater Circuit	73
Motor Circuit	75
24 VDC Power Circuit	76
Pump Circuit	77
Pressure Balance Control Circuit	78

WARRANTY

Polyurethane Machinery Corporation (hereinafter "PMC") provides this LIMITED WARRANTY (hereinafter "Warranty") to the original purchaser (hereinafter "Customer") covering this equipment and the original PMC manufactured accessories delivered with the equipment (hereinafter "Product") against defects in material or workmanship of the Product (hereinafter "Defect" or "Defective") for a period of one (1) year from the date of first purchase as shown on the original PMC invoice (hereinafter "Warranty Period").

If during the Warranty Period under normal use, the Product is suspected by Customer to be Defective in material or workmanship, it is Customer's responsibility to contact PMC and return the Product to PMC as directed by PMC, freight prepaid. If PMC determines that the Product is Defective and that such Defect is covered by this Warranty, PMC will credit Customer for the reasonable freight charges incurred by Customer in returning the Defective Product to PMC, and PMC (or its authorized agent) will, at PMC's option, repair or replace the Product, subject to the following:

Original Invoice: The original invoice must be kept as proof of the date of first sale and the Product serial number. The Warranty does not cover any Product if the Original Invoice appears to have been modified or altered, or when the serial number on the Product appears to have been altered or defaced.

Product Maintenance: It is the Customer's responsibility to maintain the Product properly. See your maintenance schedule and owner's manual for details. The Warranty does not cover an improperly maintained Product.

Non-PMC Components and Accessories: Non-PMC manufactured components and accessories that are used in the operation of the Product are not covered by this Warranty. Such components and accessories shall be subject to the warranty offered to the Customer, if any, by the original manufacturer of such component or accessory.

Other Warranty Exclusions: The Warranty does not cover any Product that PMC determines has been damaged or fails to operate properly due to misuse, negligence, abuse, carelessness, neglect, or accident. By way of example only, this includes:

- Normal wear and tear.
- Improper or unauthorized installation, repair, alteration, adjustment or modification of the Product.
- Use of heating devices, pumping equipment, dispensers, or other parts or accessories with the Product that have not been approved or manufactured by PMC.
- Failure to follow the operating instructions and recommendations provided by PMC.
- Cosmetic damage.
- Fire, flood, "acts of God," or other contingencies beyond the control of PMC.

THE WARRANTY DESCRIBED HEREIN IS THE EXCLUSIVE REMEDY FOR THE CUSTOMER AND IS IN LIEU OF ALL OTHER WARRANTIES, EXPRESS, IMPLIED, STATUTORY OR OTHERWISE, AND THE IMPLIED WARRANTIES OF MERCHANTABILITY AND FITNESS FOR A PARTICULAR PURPOSE AND ALL OTHER WARRANTIES ARE HEREBY DISCLAIMED. TO THE FULLEST EXTENT PERMITTED BY LAW, PMC SHALL NOT BE RESPONSIBLE, WHETHER BASED IN CONTRACT, TORT (INCLUDING, WITHOUT LIMITATION, NEGLIGENCE), WARRANTY OR ANY OTHER LEGAL OR EQUITABLE GROUNDS, FOR ANY CONSEQUENTIAL, INDIRECT, INCIDENTAL, LOST PROFITS, SPECIAL, PUNITIVE OR EXEMPLARY DAMAGES, WHETHER TO PERSON OR PROPERTY, ARISING FROM OR RELATING TO THE PRODUCT, EVEN IF PMC HAS BEEN ADVISED OF THE POSSIBILITY OF SUCH LOSSES OR DAMAGES.

Non-Warranty Service by PMC: If PMC determines that the suspected Defect of the Product is not covered by this Warranty, disposition of the Product will be made pursuant to the terms and conditions of PMC's written estimate on a time and materials basis.

Continuing Warranty for Products Repaired or Replaced under Warranty: Following the repair or replacement of a Product covered by this Warranty, such Product will continue to be subject to the original Warranty for the remainder of original Warranty Period or for three (3) months from the repair or replacement date, whichever is longer.

No Rights Implied: Nothing in the sale, lease or rental of any Product by PMC shall be construed to grant any right, interest or license in or under any patent, trademark, copyright, trade secret or other proprietary right or material owned by anyone; nor does PMC encourage the infringement of same.

Exclusive Warranty: This writing is the final, complete, and exclusive expression of the Warranty covering the Product. Any statements made by PMC, its employees or agents that differ from the terms of this Warranty shall have no effect. It is expressly understood that Customer's acceptance of this Warranty, by performance or otherwise, is upon and subject solely to the terms and conditions hereof, and any additional or different terms and conditions proposed or expressed by Customer or anyone, whether in writing or otherwise, are null and void unless specifically agreed to in writing by an Officer of PMC.

SAFETY AND HANDLING

This chapter contains important information on the safety, handling, and use of your PH Series Console.



Before installing the PH Series Proportioner and start-up, carefully read all the technical and safety documentation included in this manual. Pay special attention to the information in order to know and understand the operation and the conditions of use of the PH Series Proportioner. All of the information is aimed at improving user safety and avoiding possible breakdowns from the incorrect use of the PH Series Proportioner.

Always disconnect the console from the main power source before opening the console.

WARNING! Symbol is presented in front of information to alert of a situation that might cause serious injuries if the instructions are not followed.

CAUTION! Symbol is presented in front of information that indicates how to avoid damage to the Proportioner or how to avoid a situation that could cause minor injuries.

NOTE! Symbol is presented in front of relevant information of a procedure being carried out.

Careful study of this manual will enable the operator to understand the characteristics of the PH Series Console and the operating procedures. By following the instructions and recommendations contained herein, you will reduce the potential risk of accidents in the installation, use, or maintenance of the PH Series Console. You will also provide a better opportunity for increased output, incident-free operation for a longer time, and the possibility of detecting and resolving problems quickly and simply.

Keep this Operations Manual for future consultation of useful information at all times. If you lose this manual, ask for a new copy from your PMC authorized distributor or go online at our web site (www.polymacusa.com).

When working with the PH Series Console, it is recommended that the operator wear suitable clothing and elements of personal protection, including, without limitation, gloves, protective goggles, safety footwear and face masks. Use breathing equipment when working with the PH Series Proportioner in enclosed spaces or in areas with insufficient ventilation. The introduction and follow-up of safety measures must not be limited to those described in this manual. Before starting up the PH Series Proportioner, a comprehensive analysis must be made of the risks derived from the products to be dispensed, the type of application and the working environment.



To prevent possible injury caused by incorrect handling of the raw materials and solvents used in the process, carefully read the Material Safety Data Sheet (MSDS) provided by your supplier.

Deal with waste caused according to current regulations.

Pour éviter toute blessure causée par une mauvaise manipulation des matières premières et les solvants utilisés dans le processus, veuillez lire attentivement la fiche signalétique (MSDS) fournies par votre fournisseur.



To avoid damage caused by the impact of pressurized fluids, do not open any connection or perform maintenance work on the components subject to pressure until the pressure has been completely eliminated.

Pour éviter les dommages causés par l'impact des fluides sous pression, ne pas ouvrir un lien ou d'effectuer des travaux d'entretien sur les éléments soumis à la pression jusqu'à ce que la pression a été complètement éliminé.



Use suitable protection when operating, maintaining or being present in the area where the equipment is functioning. This includes, but is not limited to, the use of protective goggles, gloves, shoes and safety clothing and breathing equipment.

Utiliser une protection appropriée utilisation, d'entretien ou d'être présents dans la région où le matériel fonctionne. Cela inclut, mais n'est pas limité à, l'utilisation de lunettes de protection, gants, chaussures et vêtements de sécurité et un équipement respiratoire.



The equipment includes components that reach high temperatures and can cause burns. Hot parts of the equipment must NOT be handled or touched until they have cooled completely.

L'équipement comprend des éléments qui atteignent des températures élevées et peuvent provoquer des brûlures. Les parties chaudes de l'équipement ne doit pas être manipulé ou touché jusqu'à ce qu'ils aient complètement refroidi.



To prevent serious injury through crushing or amputation, do not work with the equipment without the safety guards installed on the moving parts. Make sure that all the safety guards are correctly reinstalled at the end of the repair or maintenance work of the equipment.

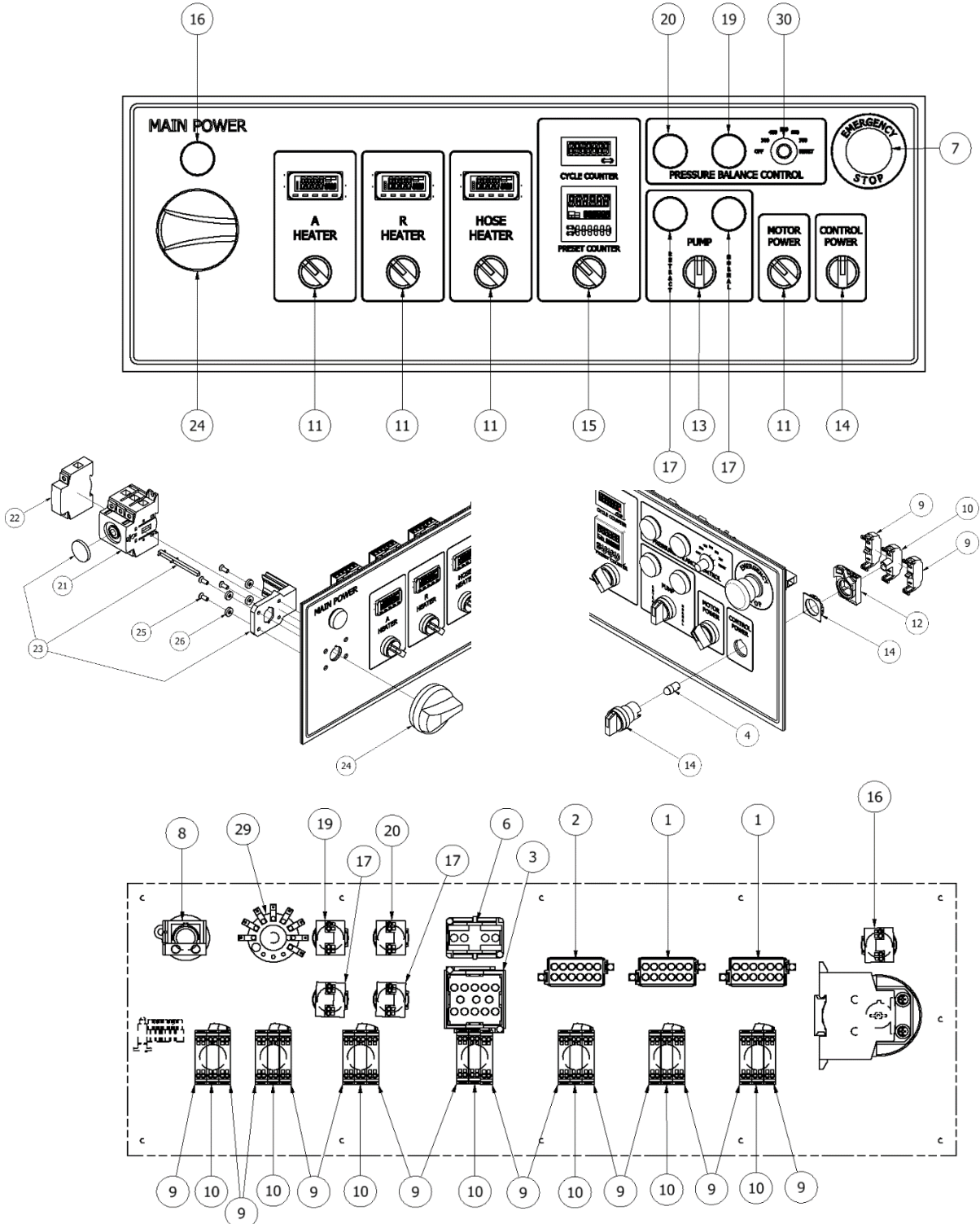
L'équipement comprend des éléments qui atteignent des températures élevées et peuvent provoquer des brûlures. Les parties chaudes de l'équipement ne doit pas être manipulé ou touché jusqu'à ce qu'ils aient complètement refroidi.



220 VAC – 1 PHASE

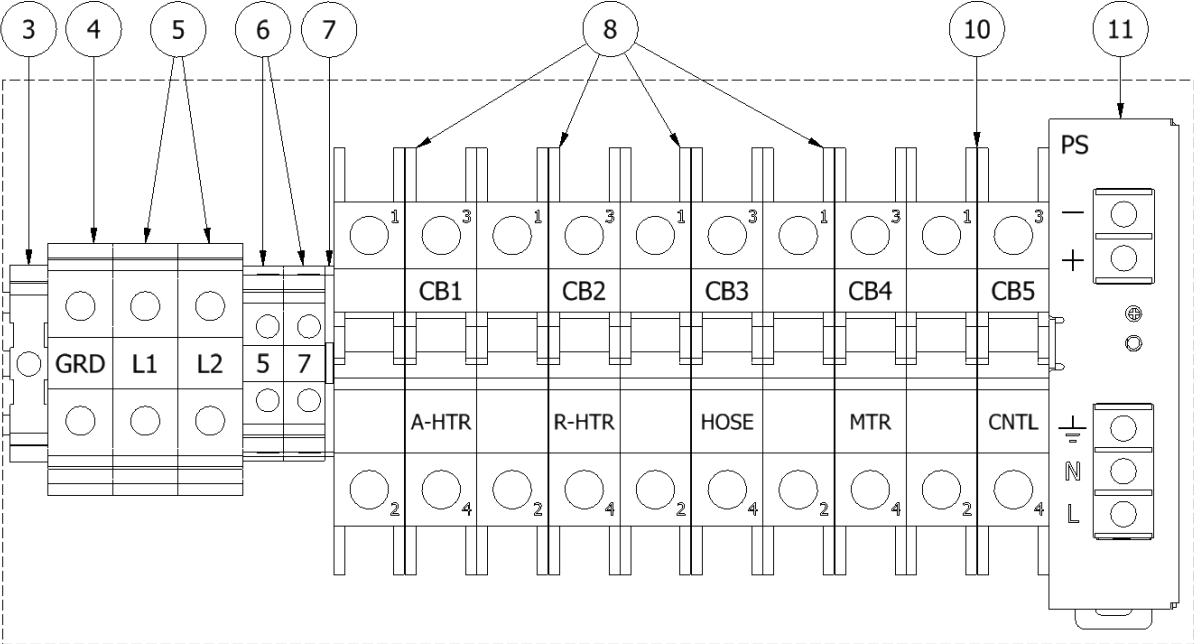
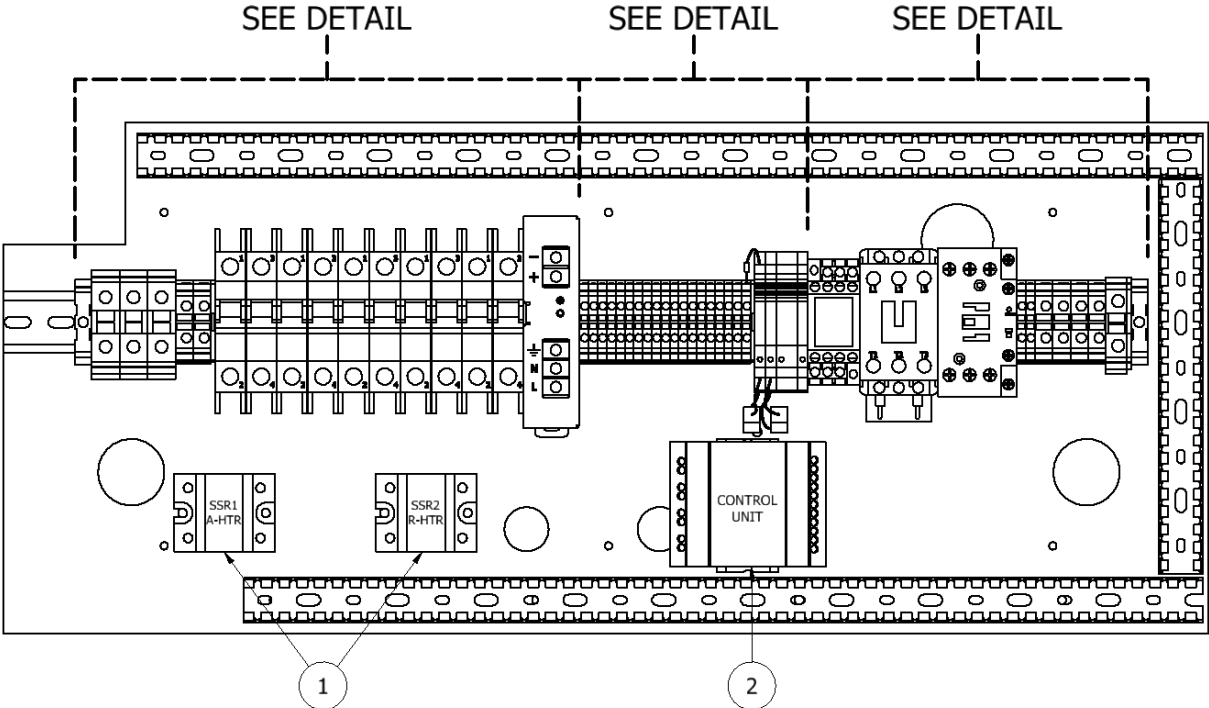
Component Identification

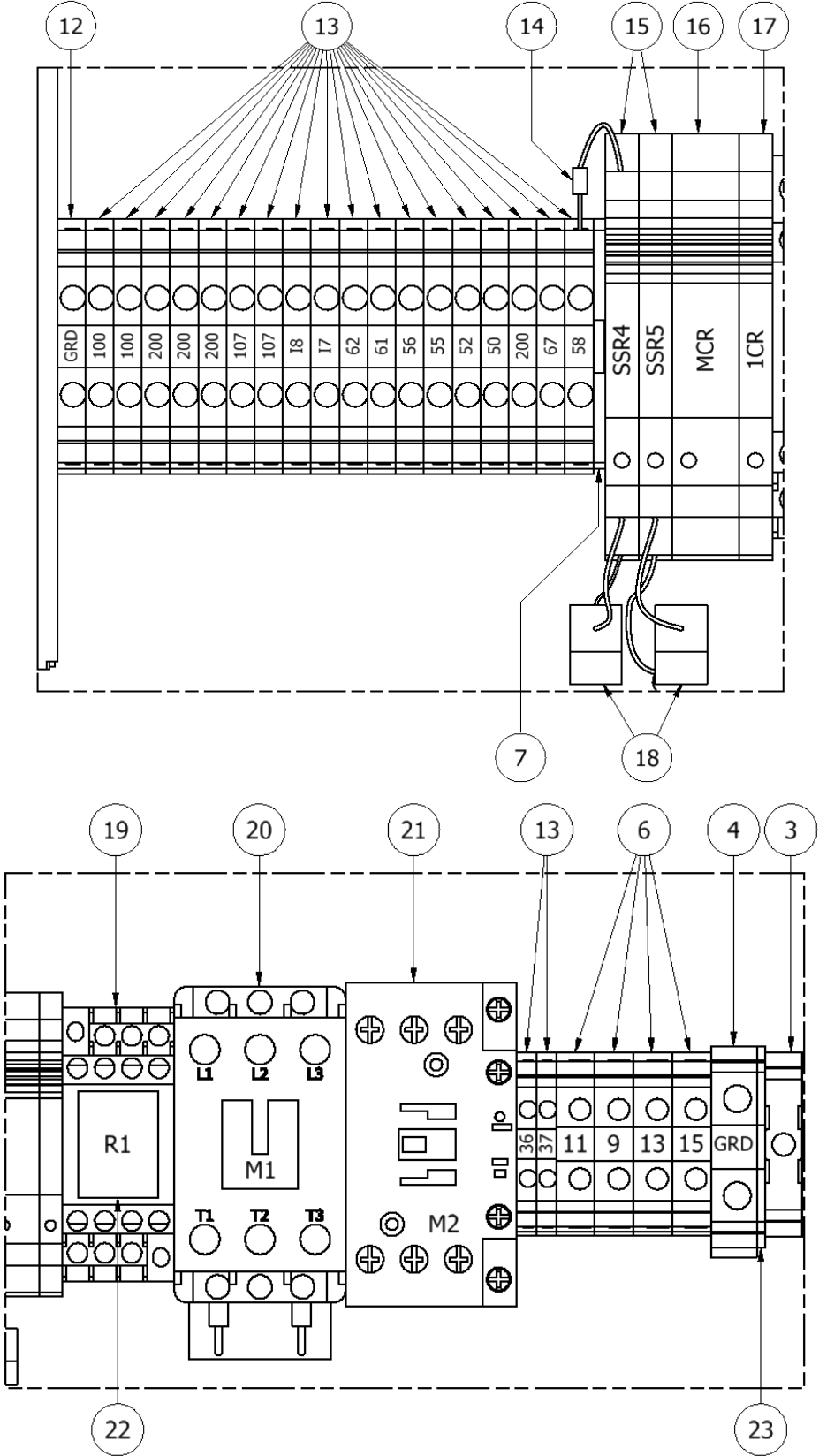
Front Panel (ALL CONSOLES)



COMPONENT LIST			
ITEM	QTY	PART NUMBER	DESCRIPTION
1	2	201154	TEMPERATURE CONTROLLER, HTR
2	1	201155	TEMPERATURE CONTROLLER, HOSE
3	1	201157	COUNTER, COUNTDOWN, PROGRAMMED, OMRON
4	5	201215	LIGHT UNIT, RED, 24VDC
5	1	201216	LIGHT UNIT, WHITE, 24VDC
6	1	201217	CYCLE COUNTER
7	1	201218	E-STOP PUSH-TWIST
8	1	201219	CONTACT BLOCK, NON-LIGHTED SPST-NC
9	14	201221	CONTACT BLOCK, NO, PUSH IN
10	7	201222	LAMP HOLDER, PUSH-IN
11	4	201223	22M SWITCH, 2 POS RED, MANUAL
12	7	201224	MOUNTING COLLAR, 22M
13	1	201225	22M SWITCH, 3 POS WHITE, MANUAL
14	1	201226	22M SWITCH, 3 POS RED, MANUAL
15	1	201227	22M SWITCH, 2 POS GREEN, MANUAL
16	1	201228	LIGHT UNIT, GREEN, 240VDC
17	2	201229	LIGHT UNIT, ORANGE, 24VDC
18	1	201257	LIGHT UNIT, GREEN, 24VDC
19	1	201301	LED LIGHT, GREEN, 24VDC
20	1	201302	LIGHT UNIT, RED, 24VDC
21	1	EL-100	ROTARY DISCONNECT; 80A; 3 POLE
22	1	EL-101	ROTARY DISCONNECT; 80A; 3 POLE
23	1	EL-103	DOOR MOUNTING KIT
24	1	EL-105	SELECTOR HANDLE; RED
25	4	EL-105_1	SCREW
26	4	EL-105_2	WASHER
27	1	EL-105_3	NUT
28	1	EL-105_4	GASKET
29	1	EL-196	SWITCH, ROTARY, 7 POS, 15A
30	1	EL-197	KNOB, 1/4 DIA. BLACK

Bottom Plate (PH-25 & PHX-25 ONLY)

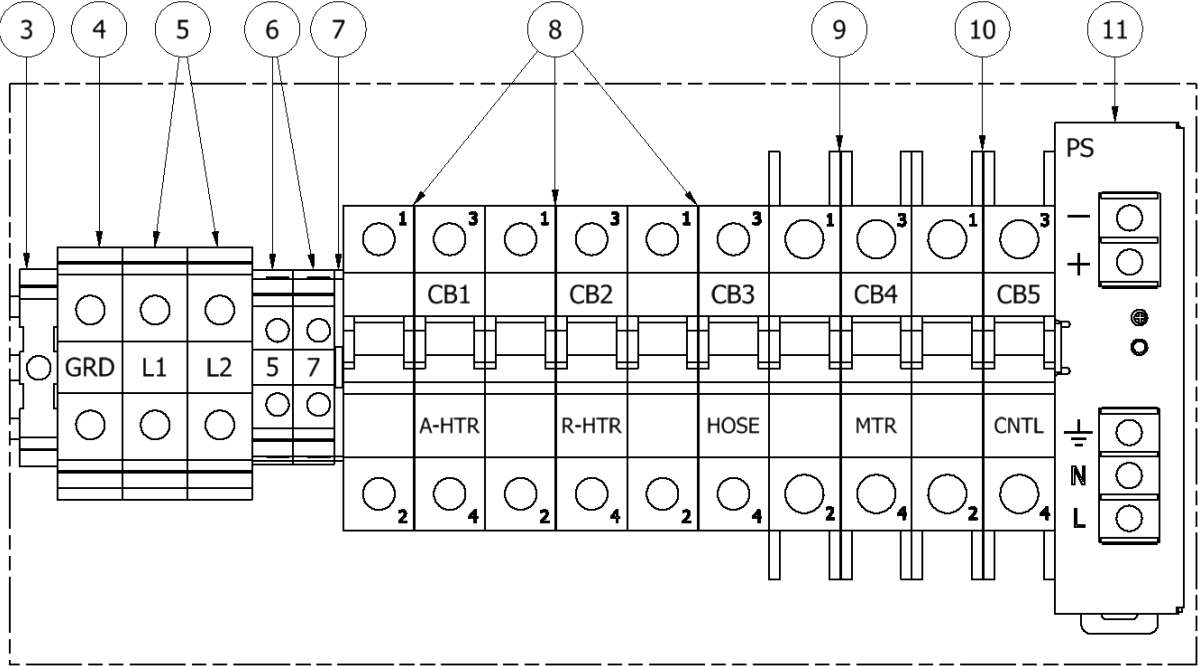
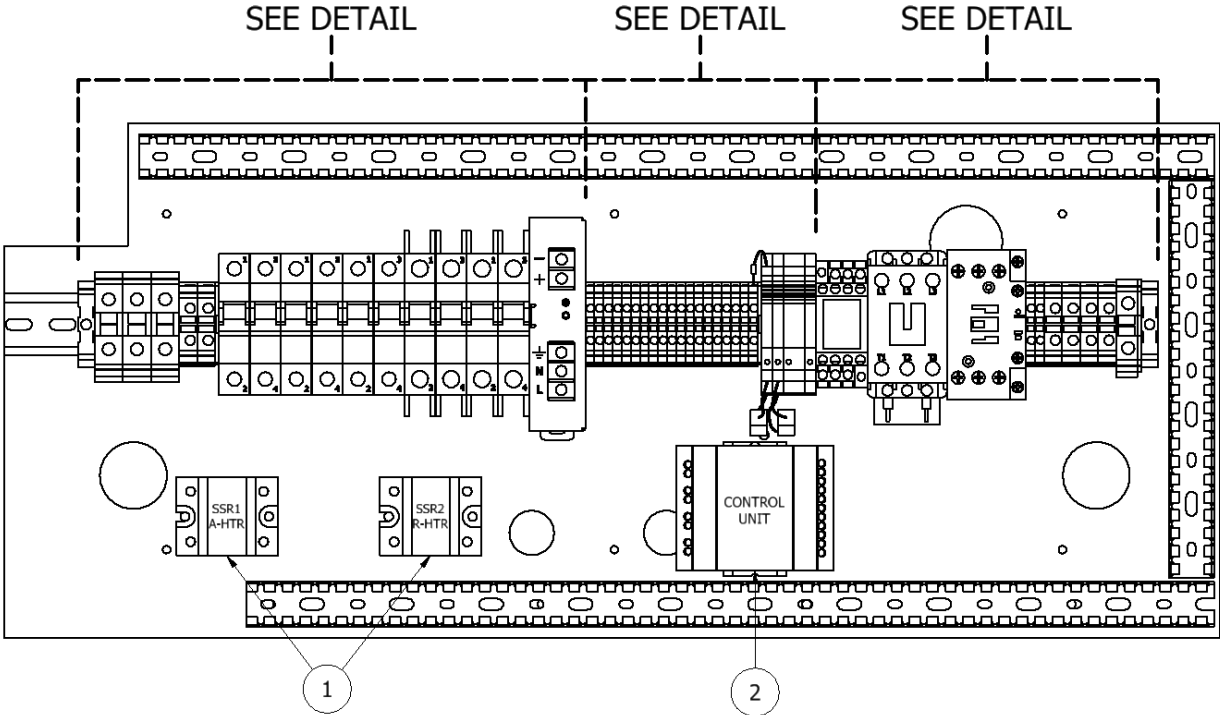


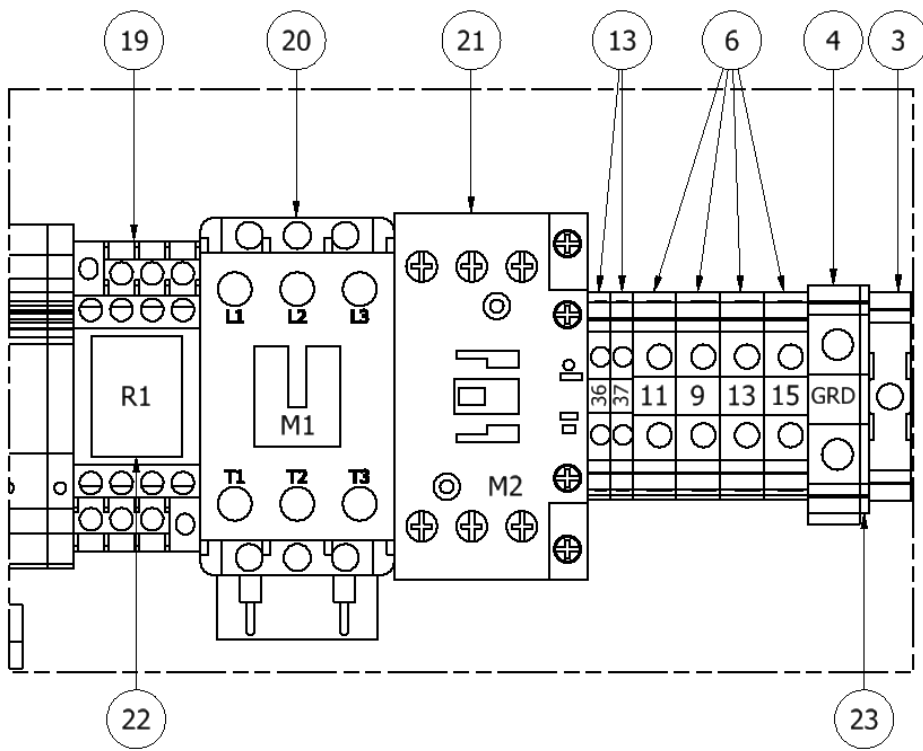
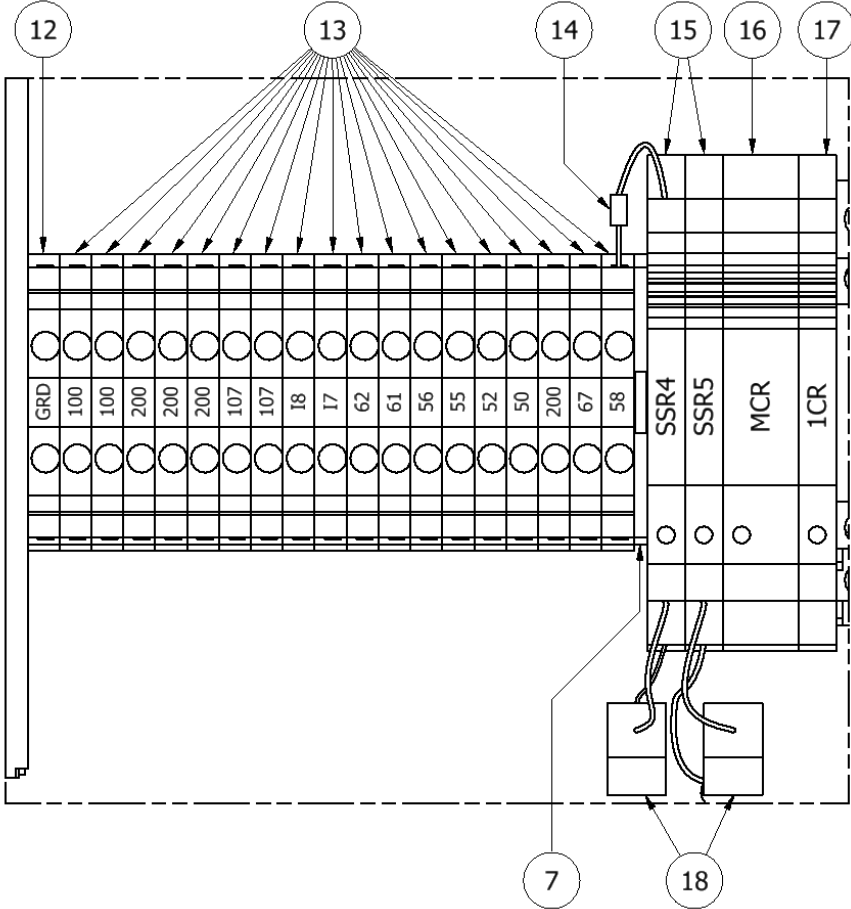


COMPONENT LIST			
ITEM	QTY	PART NUMBER	DESCRIPTION
1	2	EL-35	RELAY; 100AMP, 480V
2	1	EL-194-1	PROGRAMMED; EZ RELAY
3	2	EL-152	END STOP; 35MM
4	1	EL-146	TERMINAL BLOCK; 16MM; GROUND
5	2	EL-143	TERMINAL BLOCK; 16MM
6	6	EL-141	TERMINAL BLOCK; 10.2MM
7	2	EL-156-10	TERMINAL COVER; 10MM/5.2MM
8	4	EL-108	CIRCUIT BREAKER; 32A, 2 POLE
10	1	EL-112	CIRCUIT BREAKER; 3A, 2 POLE
11	1	EL-122	POWER SUPPLY; 2.5A;230VAC/24VDC
12	1	EL-144	TERMINAL BLOCK; 5.2MM; GRND
13	20	EL-140	TERMINAL BLOCK; 5.2MM
14	1	EL-171	DIODE RECTIFIER 1000V; 1A
15	2	EL-160	SS RELAY; 24VDC; 2A
16	1	EL-174	SS RELAY; 24 VDC
17	1	EL-198	SS RELAY; 24 VDC
18	2	EL-172	RESISTOR 220 OHM; 5%; 3W; MET
19	1	EL-155	RELAY SOCKET
20*	1	EL-125-EATON	CONTACTOR; 40A, 24VDC, EATON
	1	EL-125-CARLO	CONTACTOR; 40A, 24VDC, CARLO
21	1	EL-118	CONTACTOR; 32A; 24VDC COIL
	1	EL-119	CONTACTOR; 25A; 24VDC COIL
22	1	EL-154	LATCHING RELAY 24V
23	1	EL-156	END COVERS; 12MM TERM BLOCKS
25	1	EL-145	12MM GROUND BLOCK 15-4 AWG

*Older consoles will have Eaton™ contactors and newer consoles will have Carlo Gavazzi™ contactors. Note the manufacturer before ordering because they are not direct replacements for each other.

Bottom Plate (PH-40 & PHX-40 ONLY)



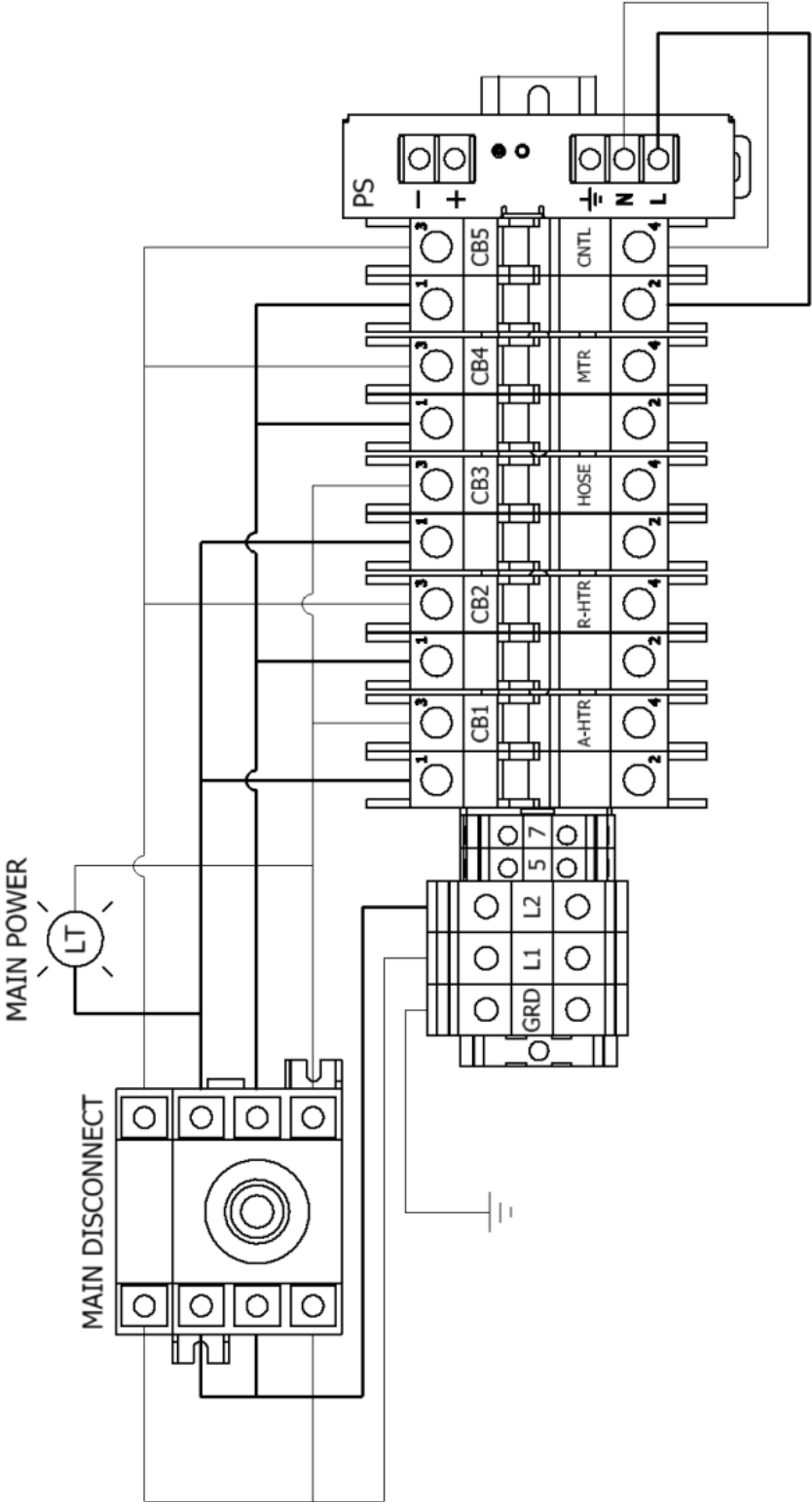


COMPONENT LIST			
ITEM	QTY	PART NUMBER	DESCRIPTION
1	2	EL-35	RELAY; 100AMP, 480V
2	1	EL-194-1	PROGRAMMED; EZ RELAY
3	2	EL-152	END STOP; 35MM
4	2	EL-146	TERMINAL BLOCK; 16MM; GROUND
5	2	EL-143	TERMINAL BLOCK; 16MM
6	6	EL-141	TERMINAL BLOCK; 10.2MM
7	2	EL-156-10	TERMINAL COVER; 10MM/5.2MM
8	3	EL-175	CIRCUIT BREAKER; 50A, 2 POLE
9	1	EL-108	CIRCUIT BREAKER; 32A, 2 POLE
10	1	EL-112	CIRCUIT BREAKER; 3A, 2 POLE
11	1	EL-122	POWER SUPPLY; 2.5A;230VAC/24VDC
12	1	EL-144	TERMINAL BLOCK; 5.2MM; GRND
13	20	EL-140	TERMINAL BLOCK; 5.2MM
14	1	EL-171	DIODE RECTIFIER 1000V; 1A
15	2	EL-160	SS RELAY; 24VDC; 2A
16	1	EL-174	SS RELAY; 24 VDC
17	1	EL-198	SS RELAY; 24 VDC
18	2	EL-172	RESISTOR; 220 OHM; 5%; 3W; MET
19	1	EL-155	RELAY SOCKET
20*	1	EL-125-EATON	CONTACTOR; 40A, 24VDC, EATON
	1	EL-125-CARLO	CONTACTOR; 40A, 24VDC, CARLO
21	1	EL-118	CONTACTOR; 32A; 24VDC COIL
	1	EL-119	CONTACTOR; 25A; 24VDC COIL
22	1	EL-154	LATCHING RELAY 24V
23	1	EL-156	END COVERS; 12MM TERM BLOCKS

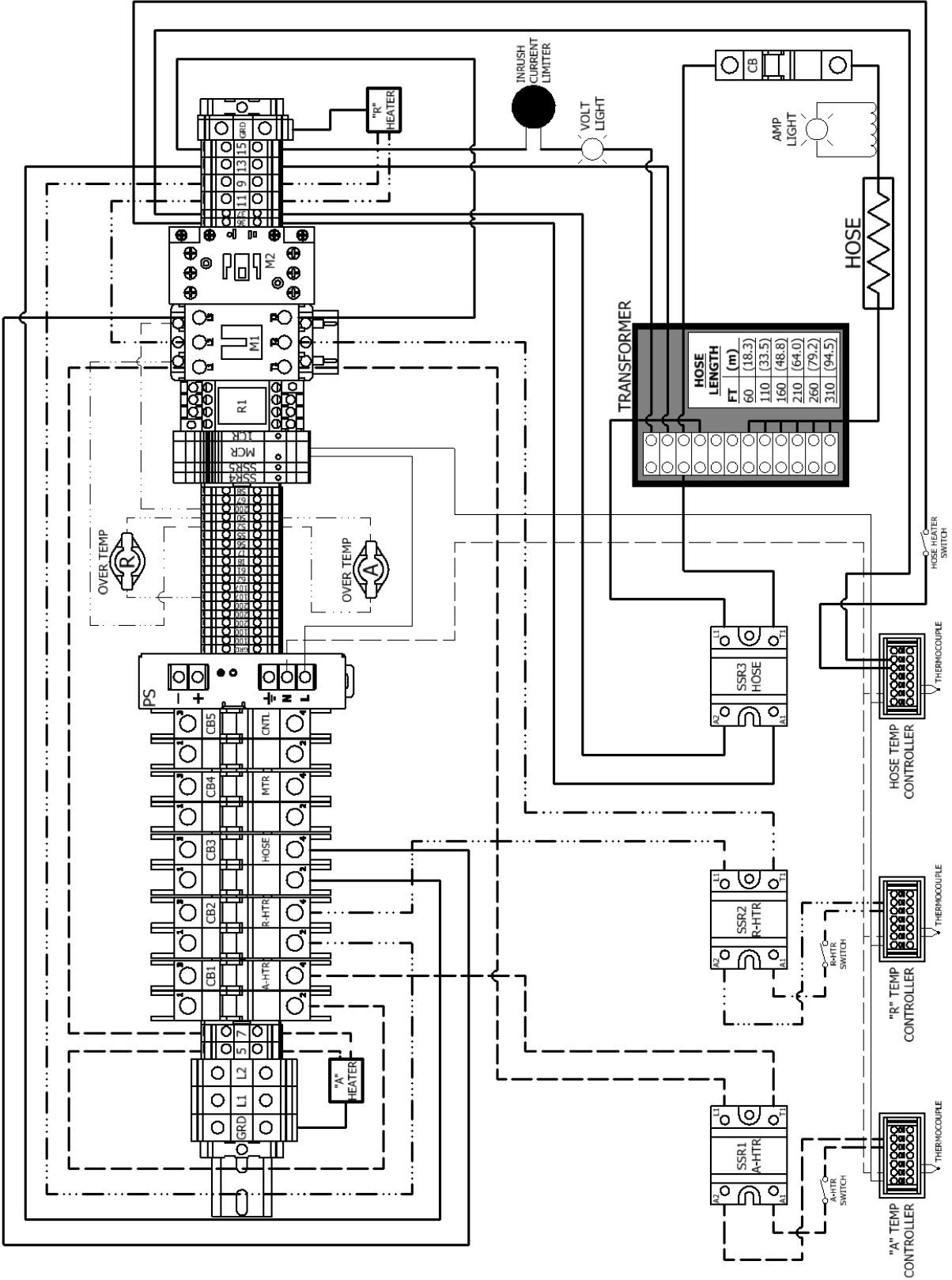
*Older consoles will have Eaton™ contactors and newer consoles will have Carlo Gavazzi™ contactors. Note the manufacturer before ordering because they are not direct replacements for each other.

Point to Point Diagrams (PH-25 & PHX-25 ONLY)

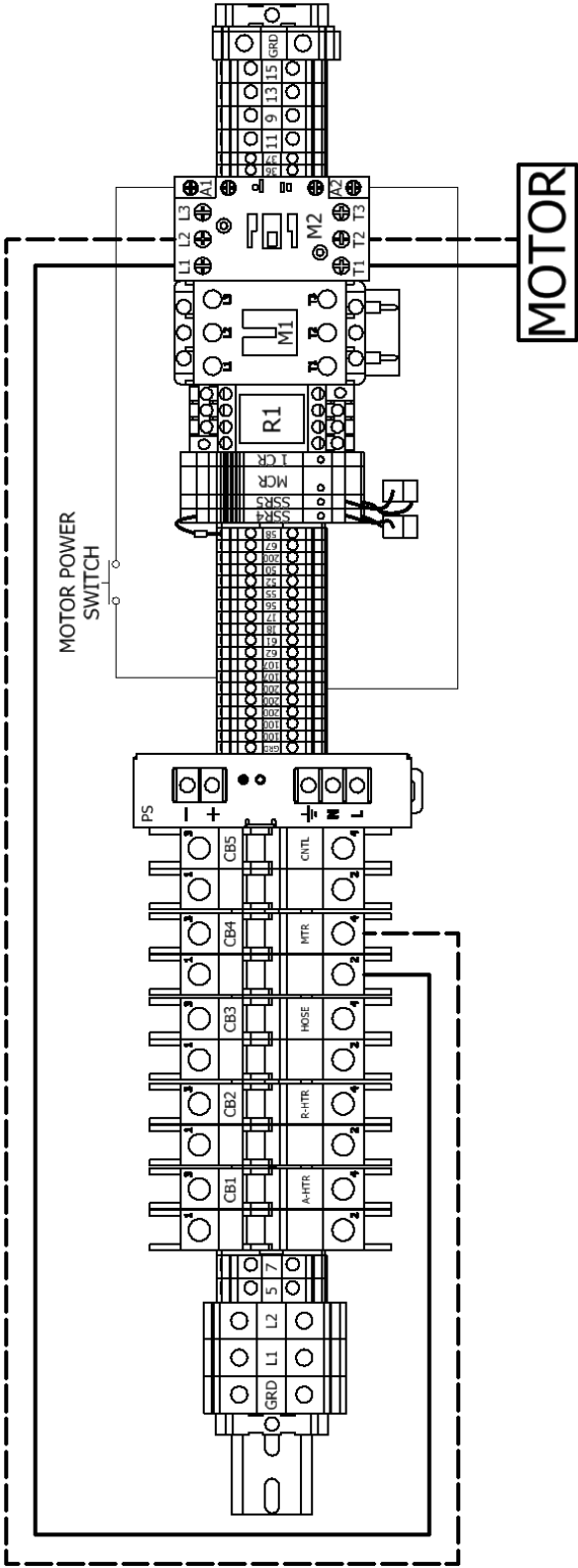
Incoming Power



Heater Circuit

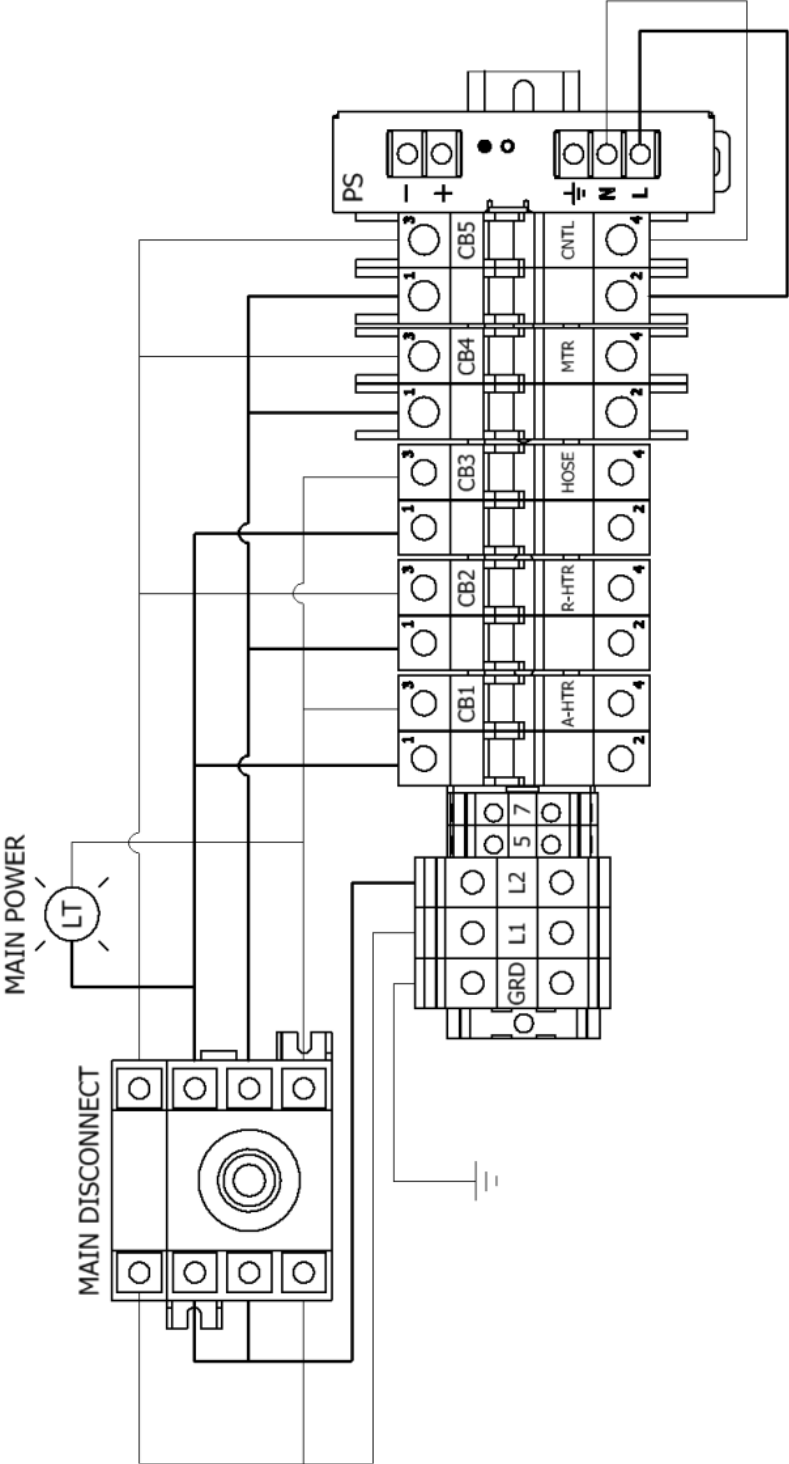


Motor Circuit

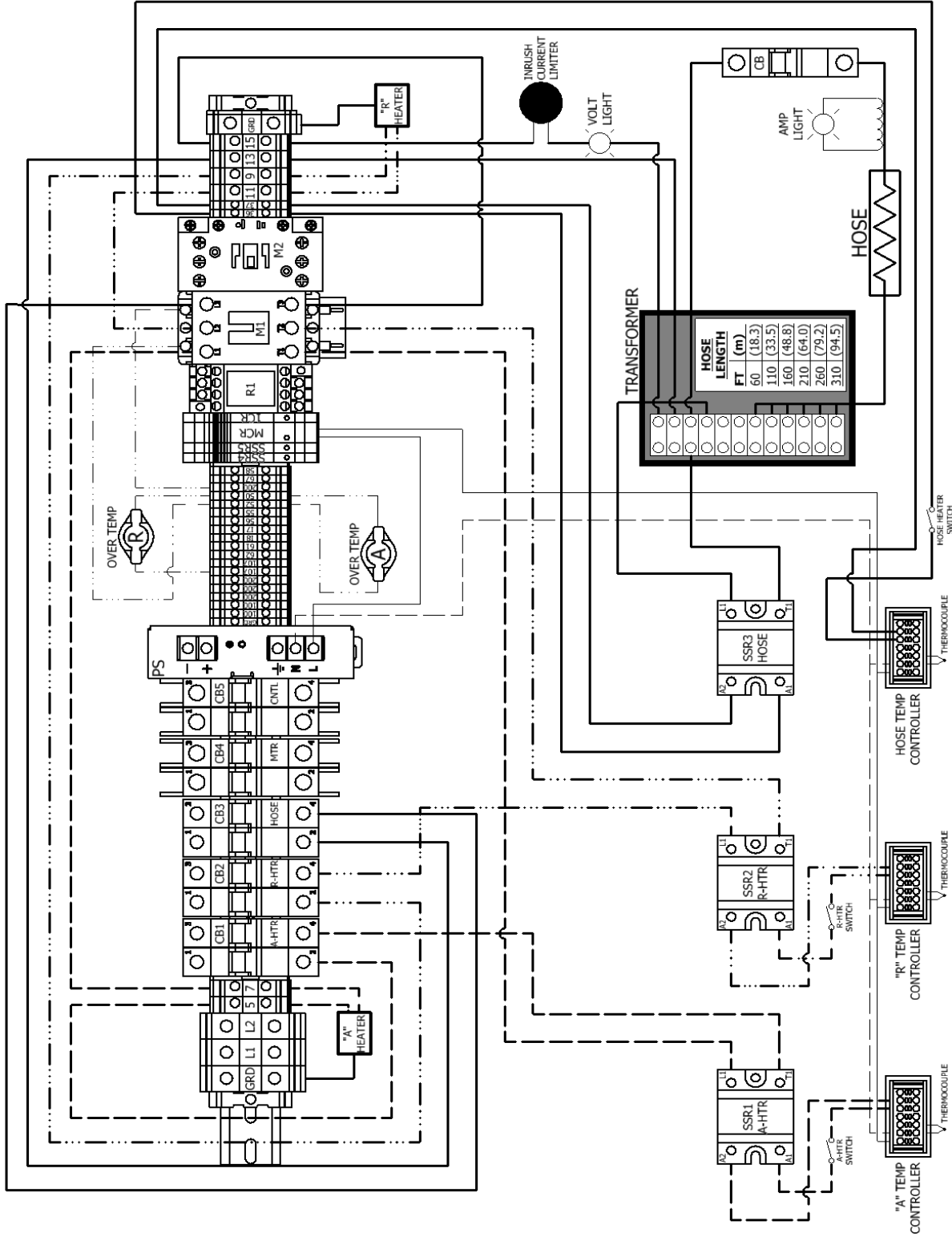


Point to Point Diagrams (PH-40 & PHX-40 ONLY)

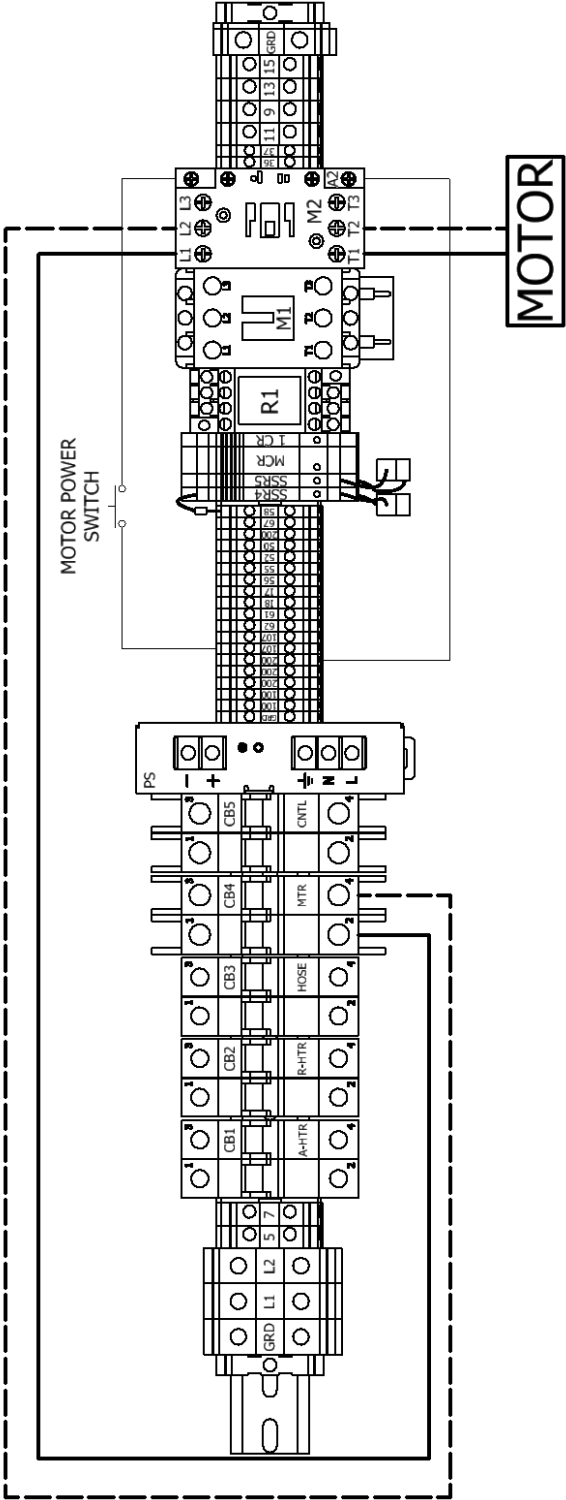
Incoming Power



Heater Circuit

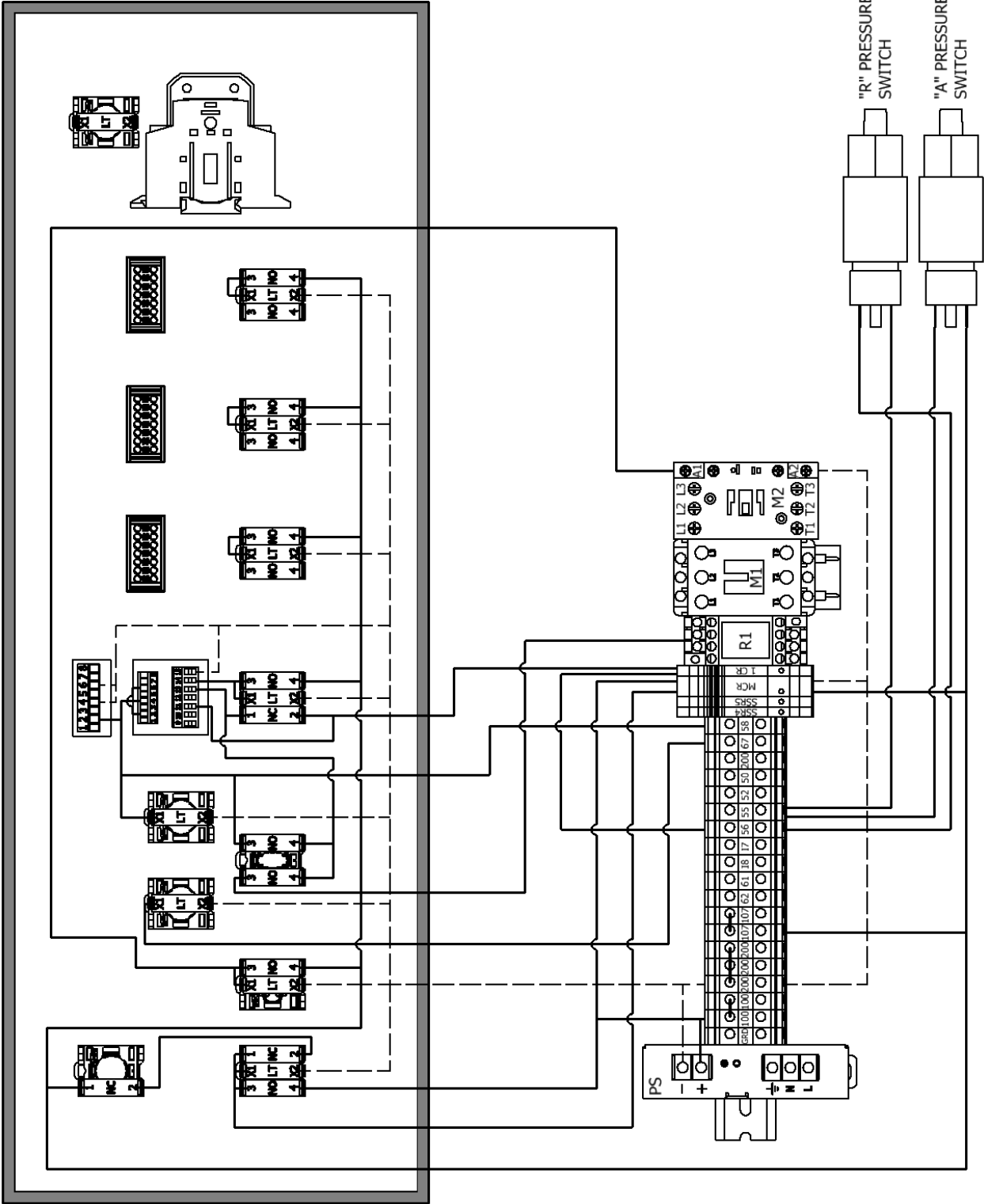


Motor Circuit

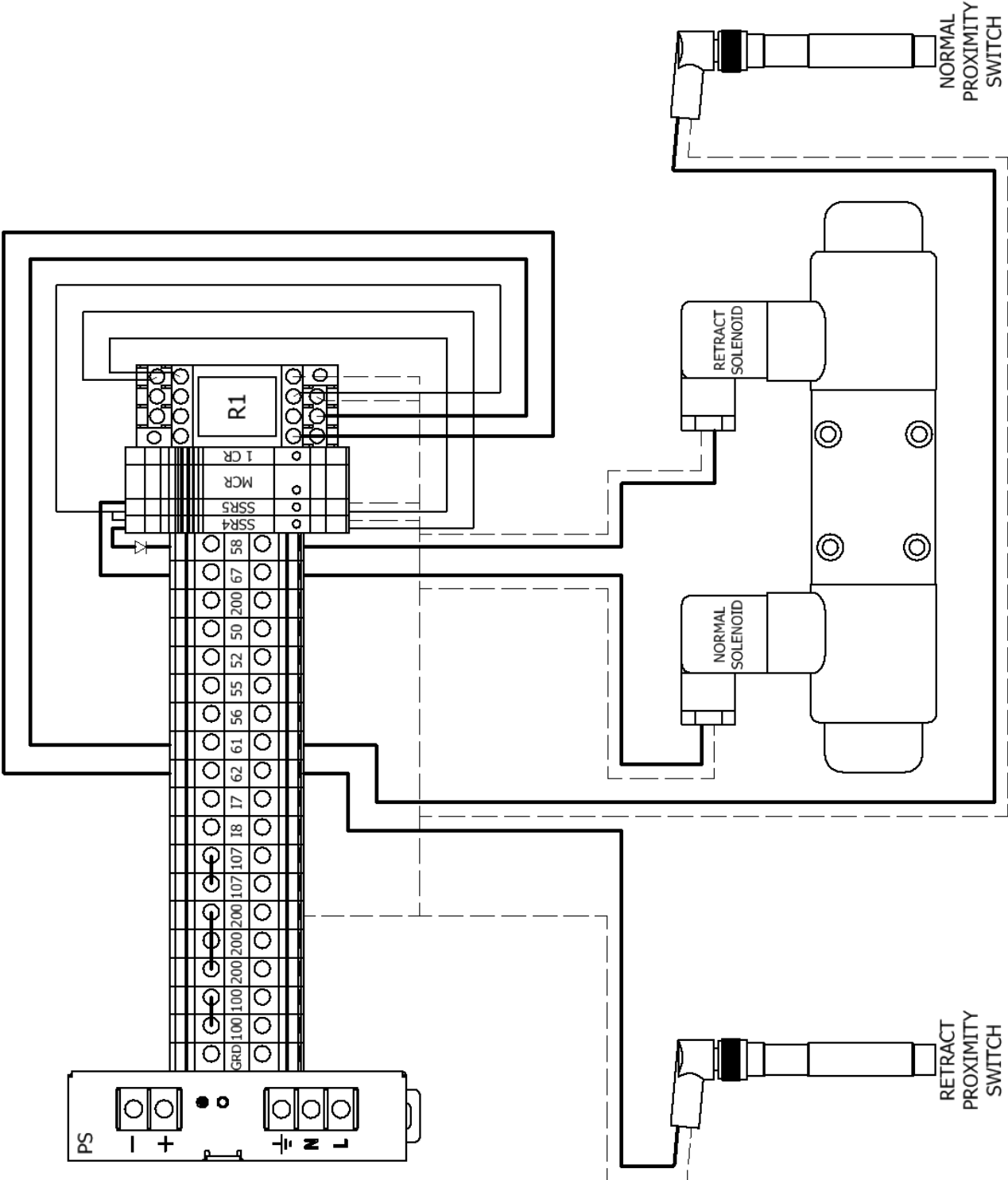


Point to Point Diagrams (ALL CONSOLES)

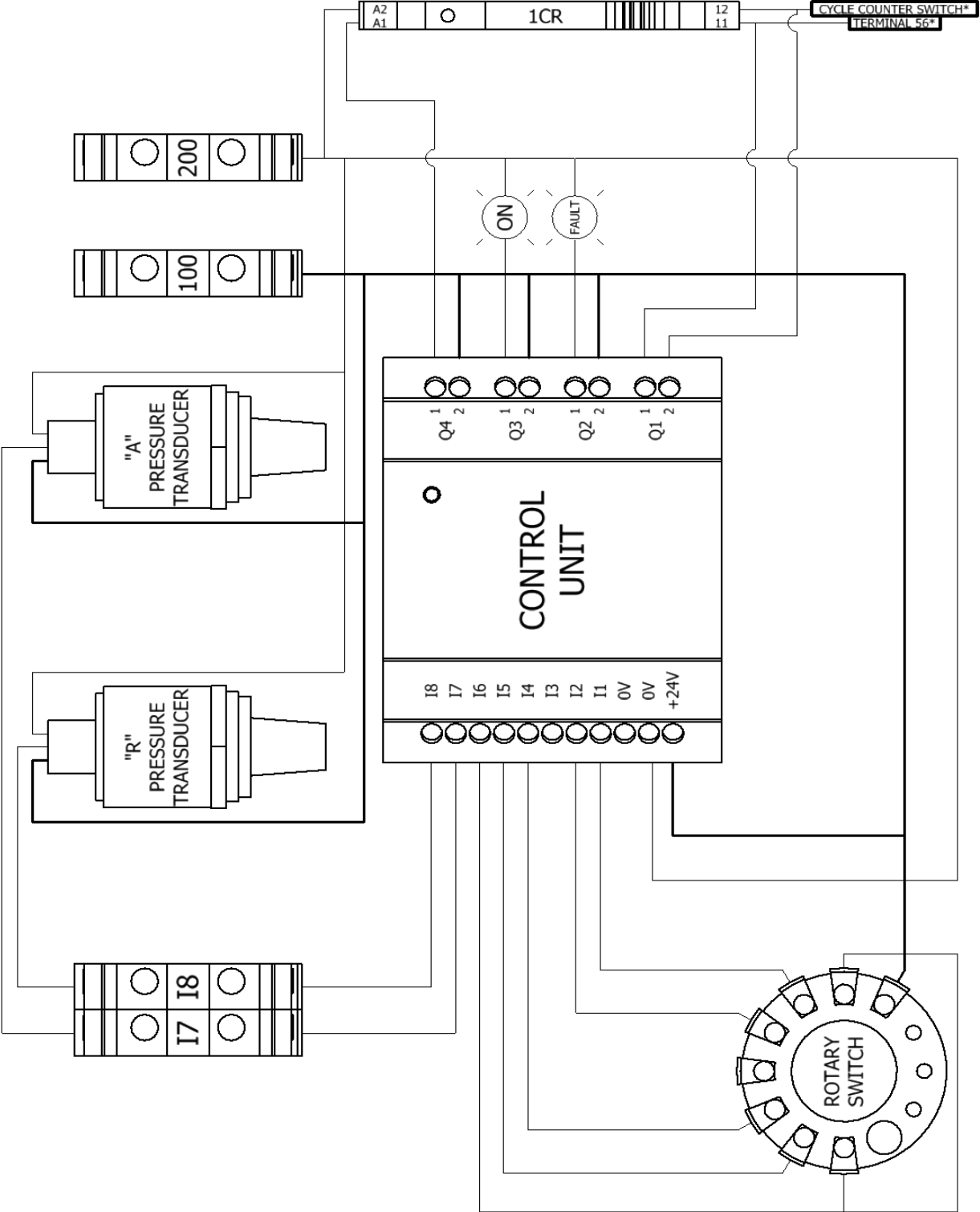
24 VDC Power Circuit



Pump Circuit



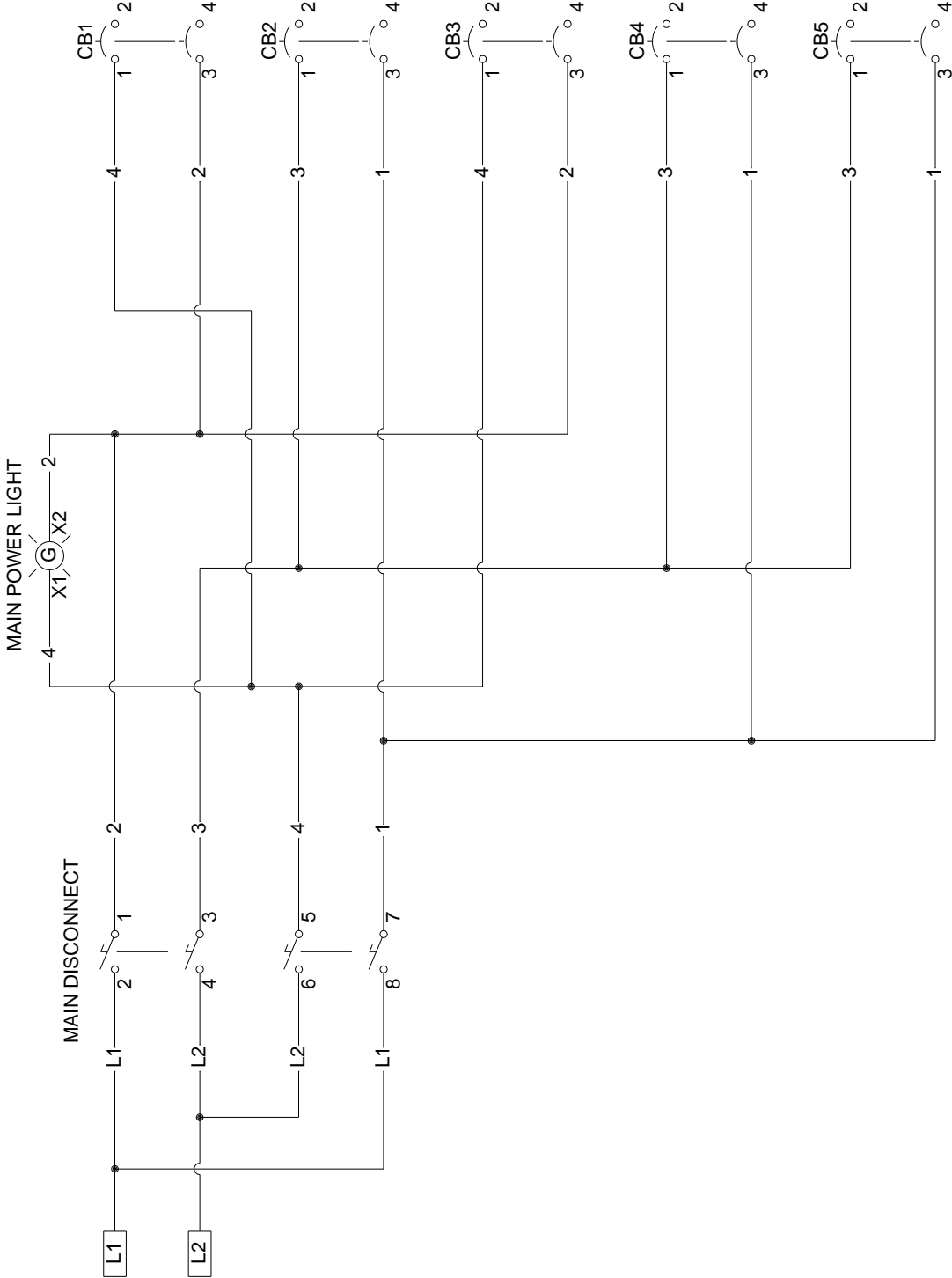
Pressure Balance Control Circuit



*See 24VDC Power Circuit (Pg. 19)

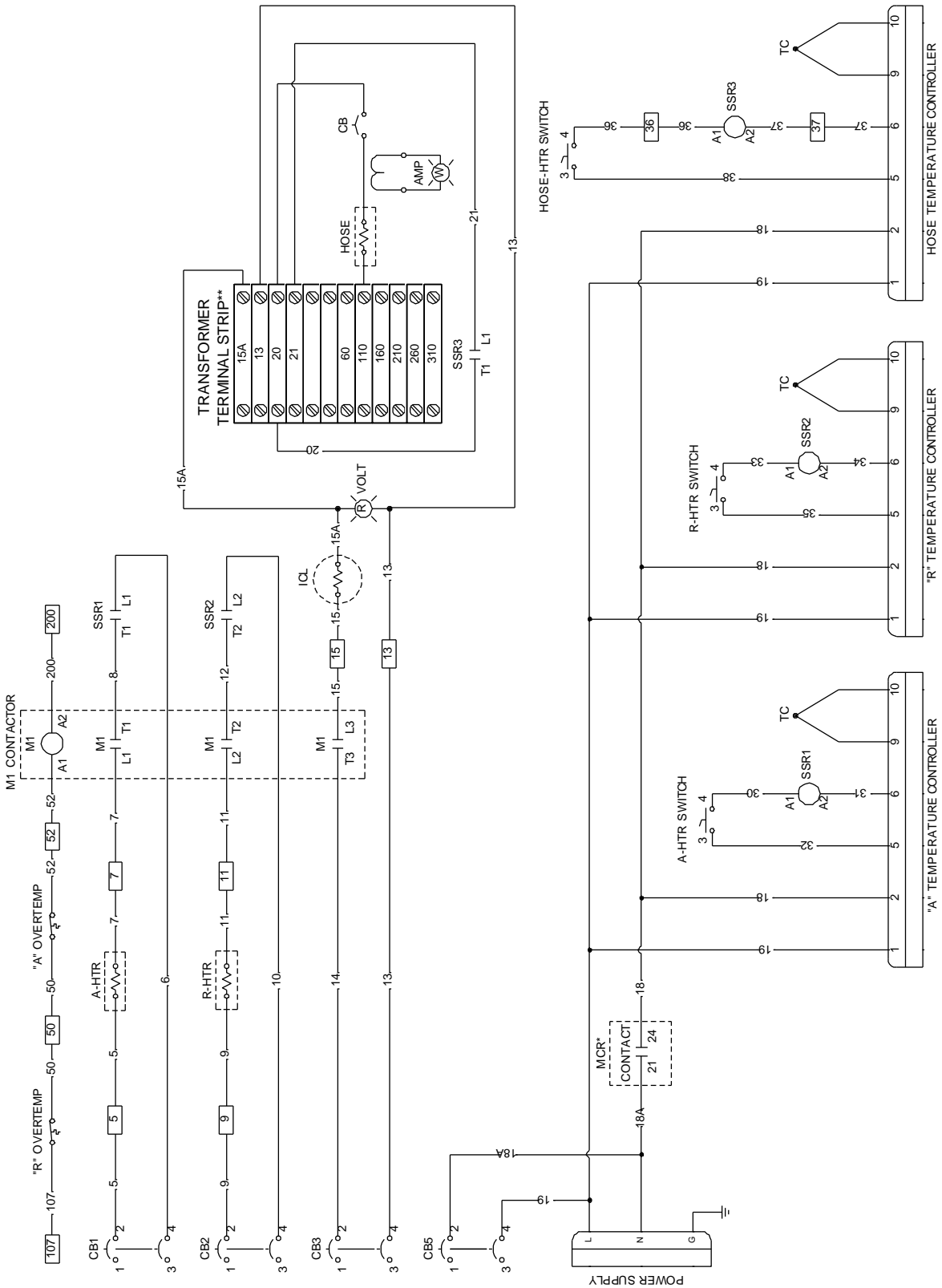
Ladder Diagrams (ALL CONSOLES)

Incoming Power

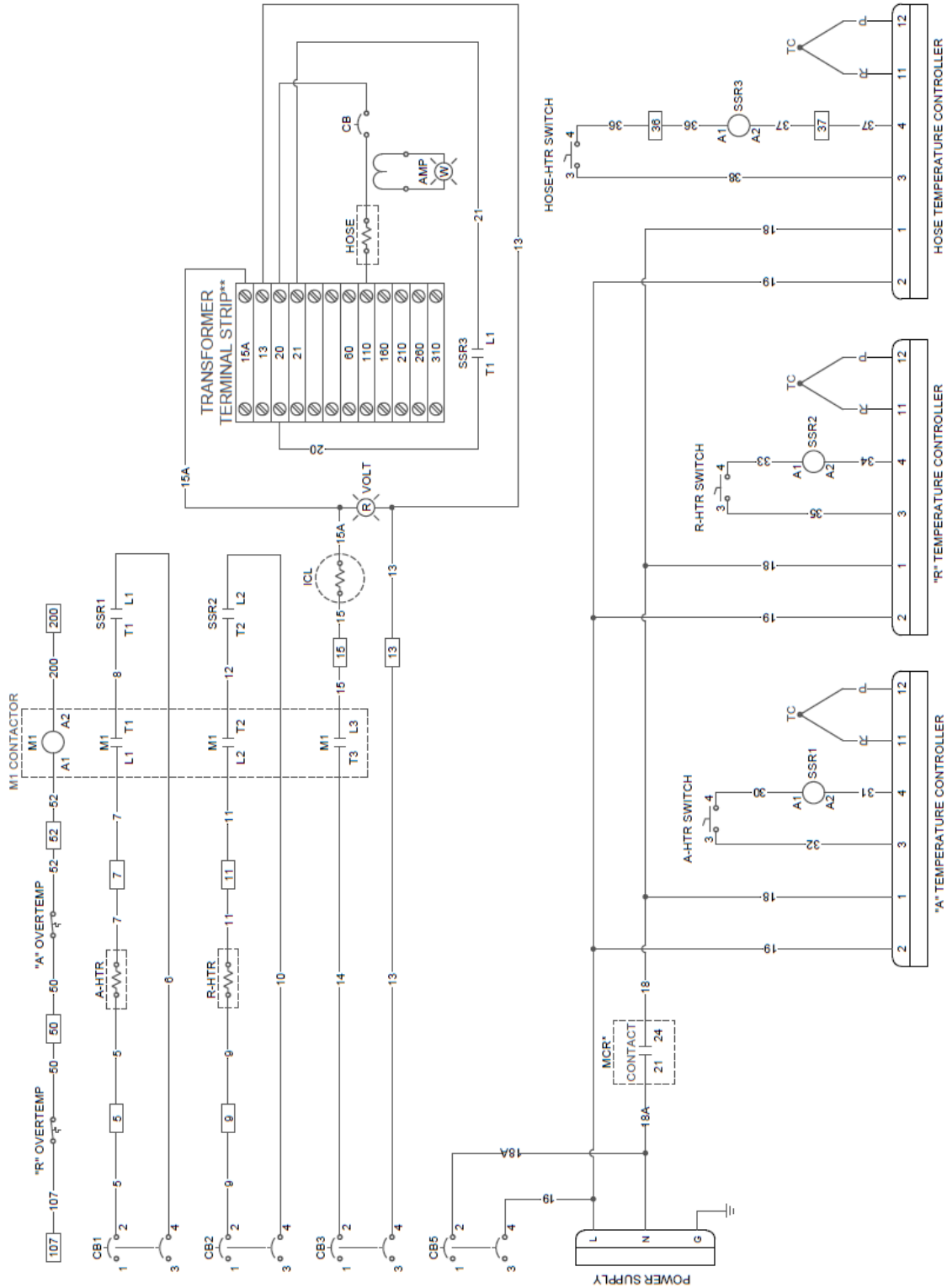


Heater Circuit

EATON CONTROLLER



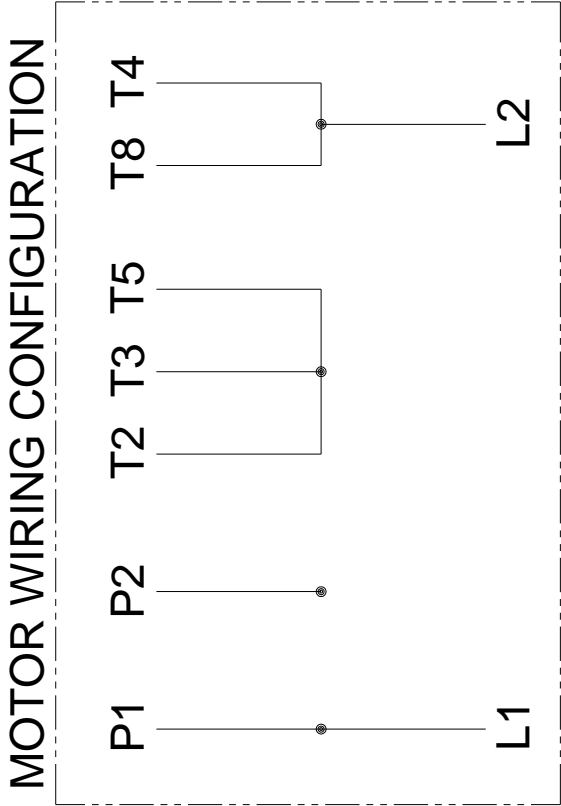
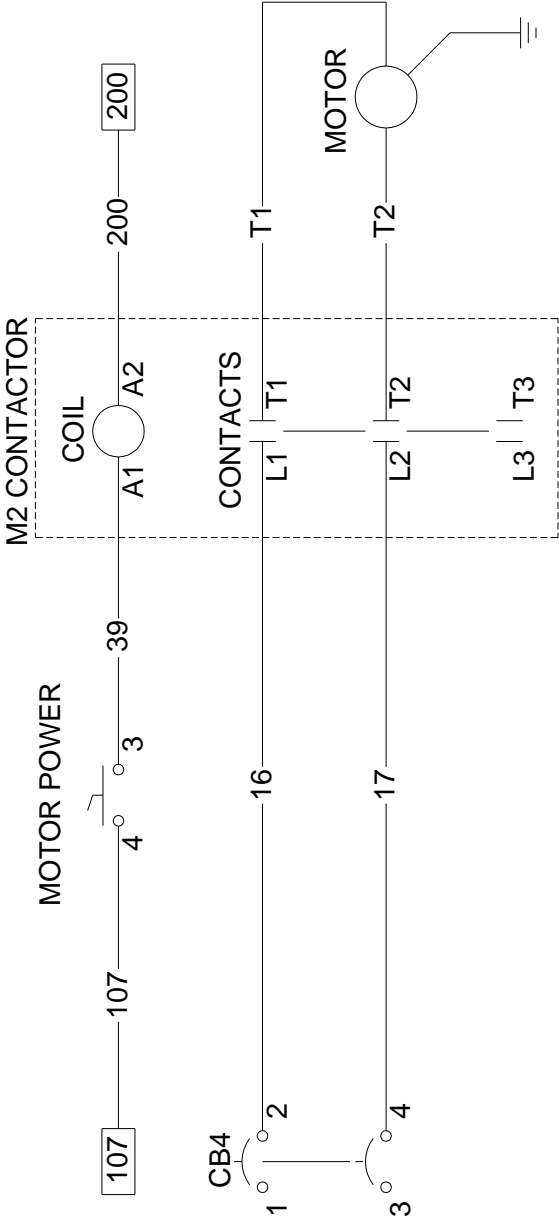
OMRON CONTROLLER



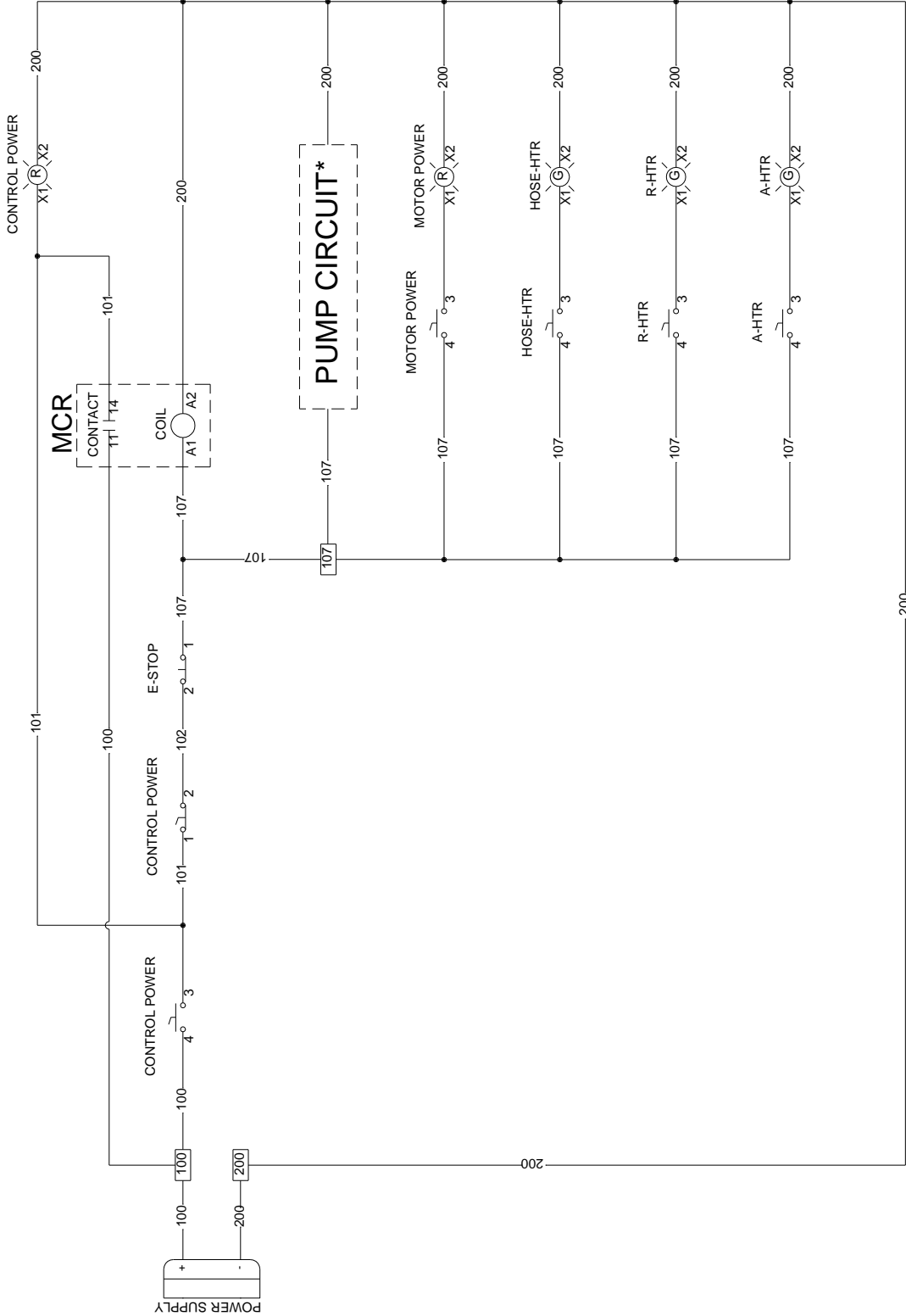
*See 24 VDC Power Circuit (Pg. 26) for complete MCR wire connections

**PH-40 & PHX-40 machines include two additional hose tap terminals for hose lengths of 360 and 410 feet.

Motor Circuit

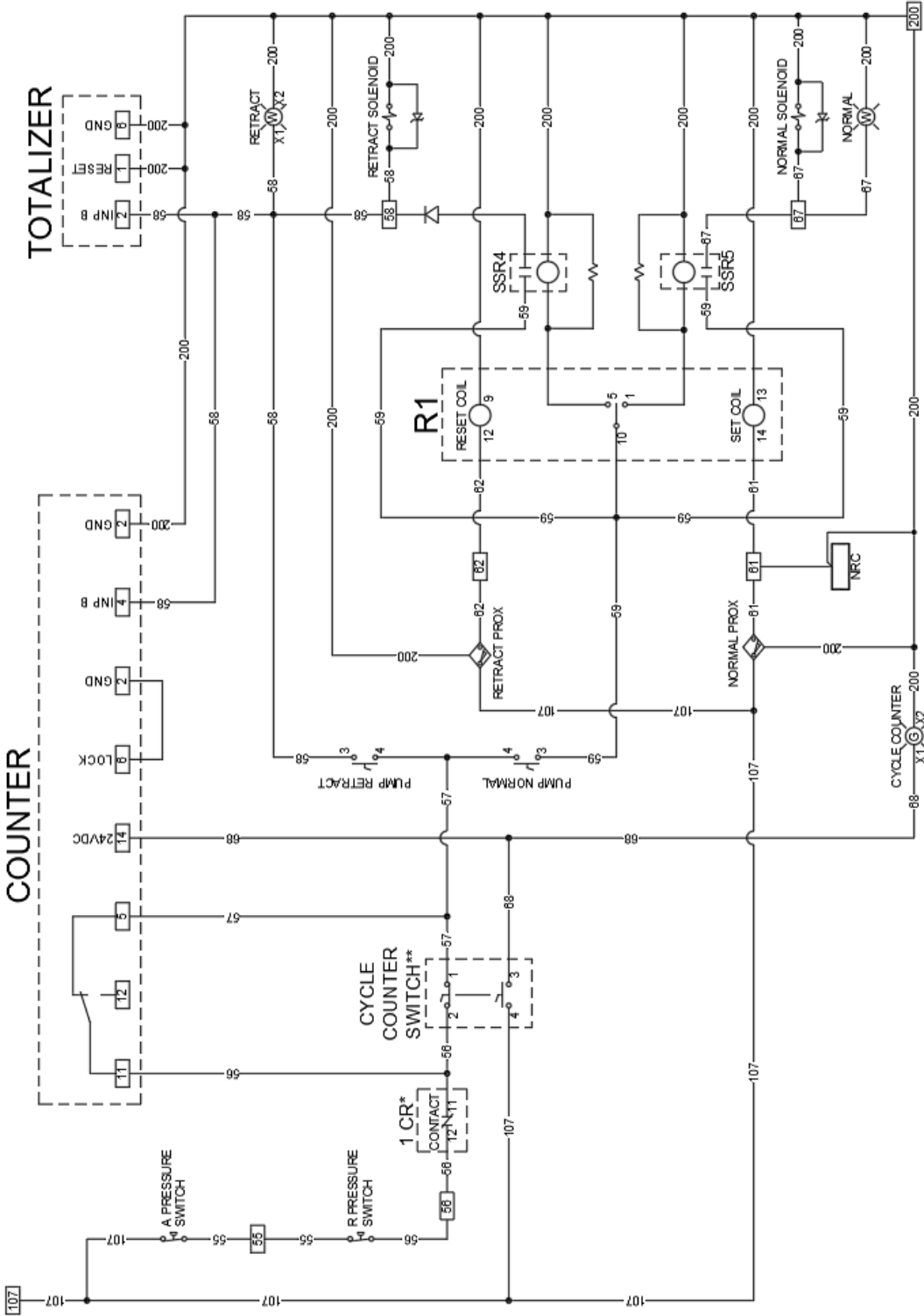


24 VDC Power Circuit



*See Pump Circuit (Pg. 27)

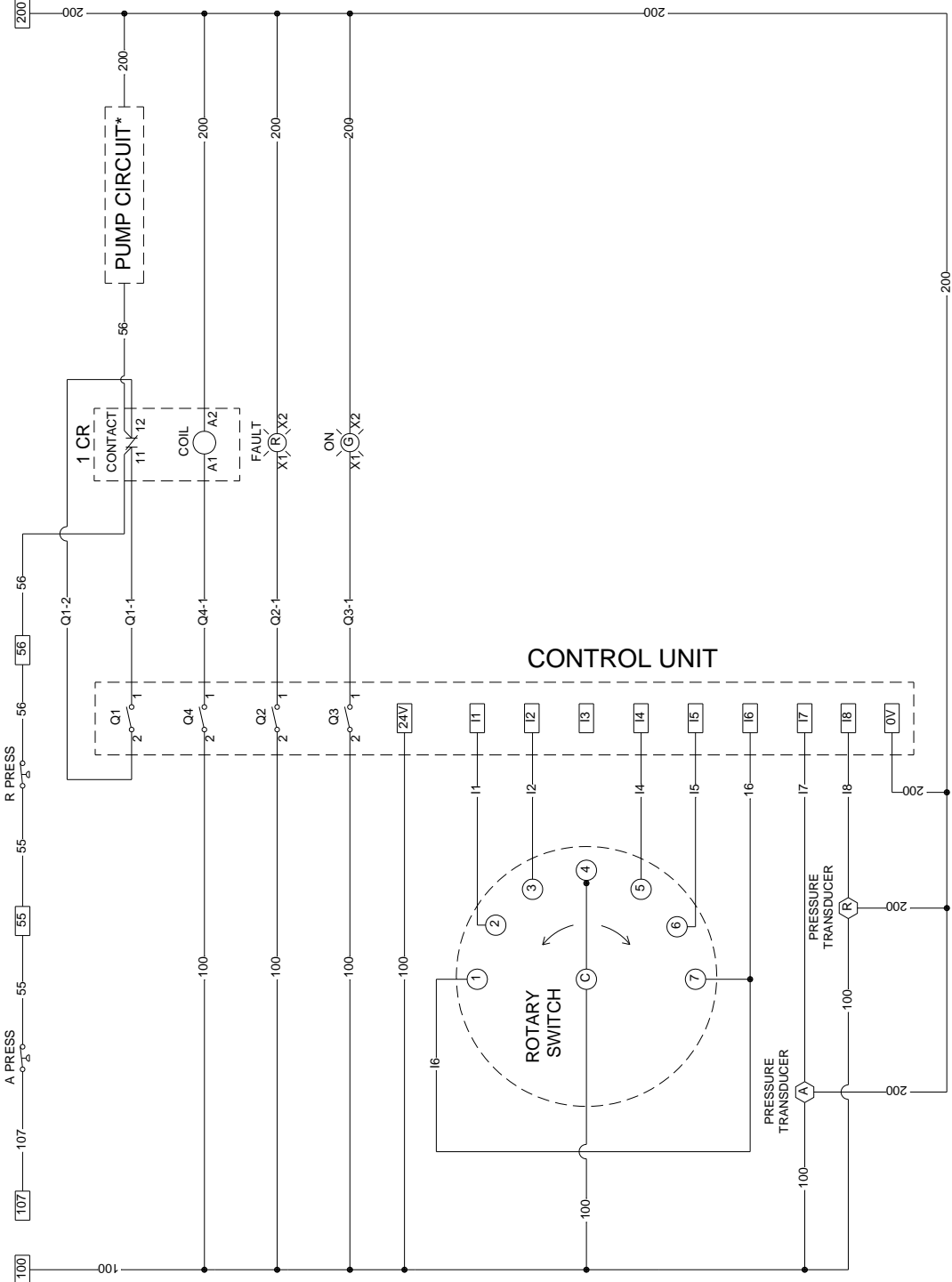
Pump Circuit



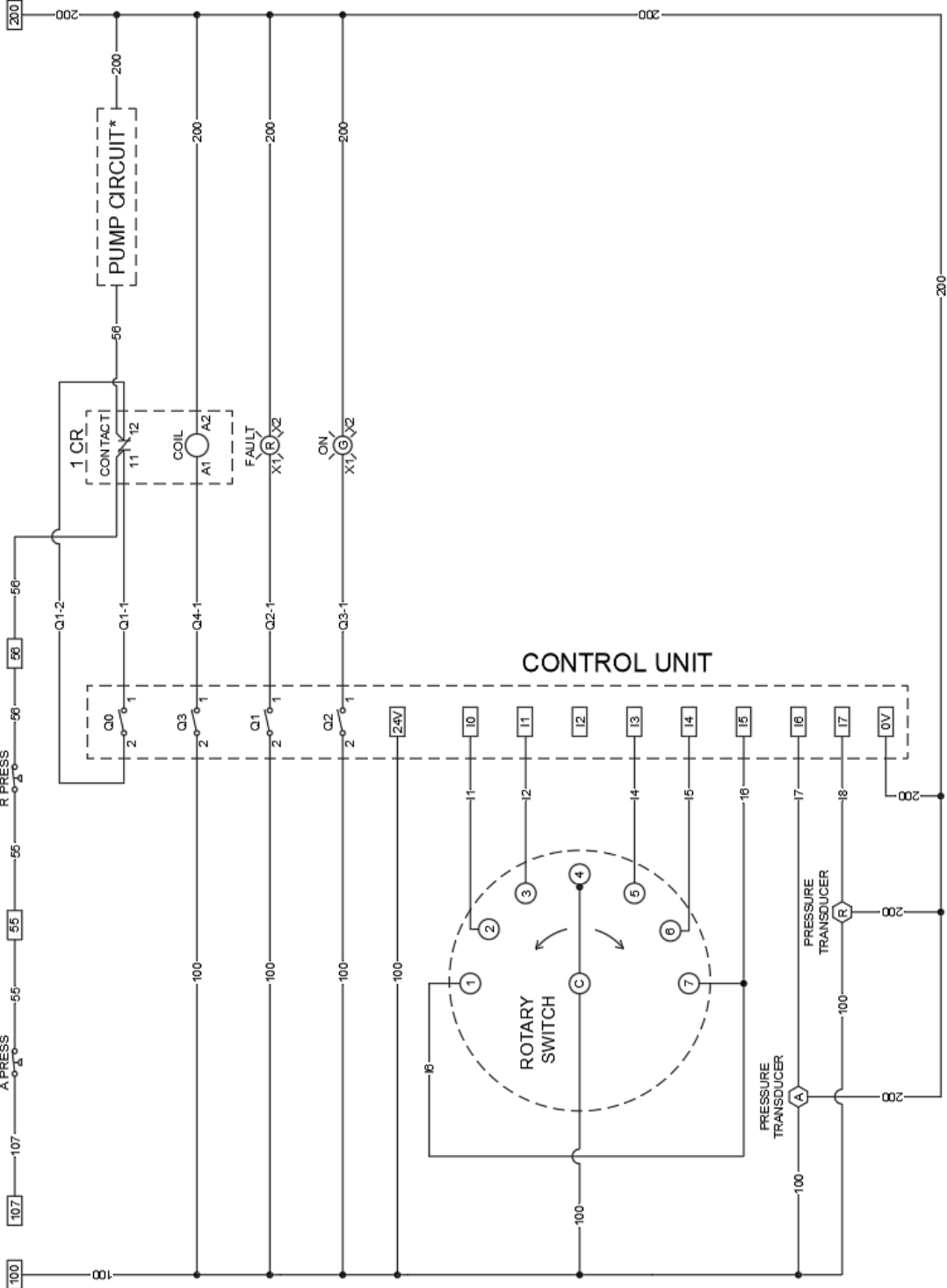
*See Pressure Balance Control Circuit (Pg. 28) for complete 1 CR wire connections

**When the cycle counter switch is turned " ON" . the NC switch opens and the NO switch closes simultaneously

Pressure Balance Control Circuit



CURCUIT FOR EATON RELAY

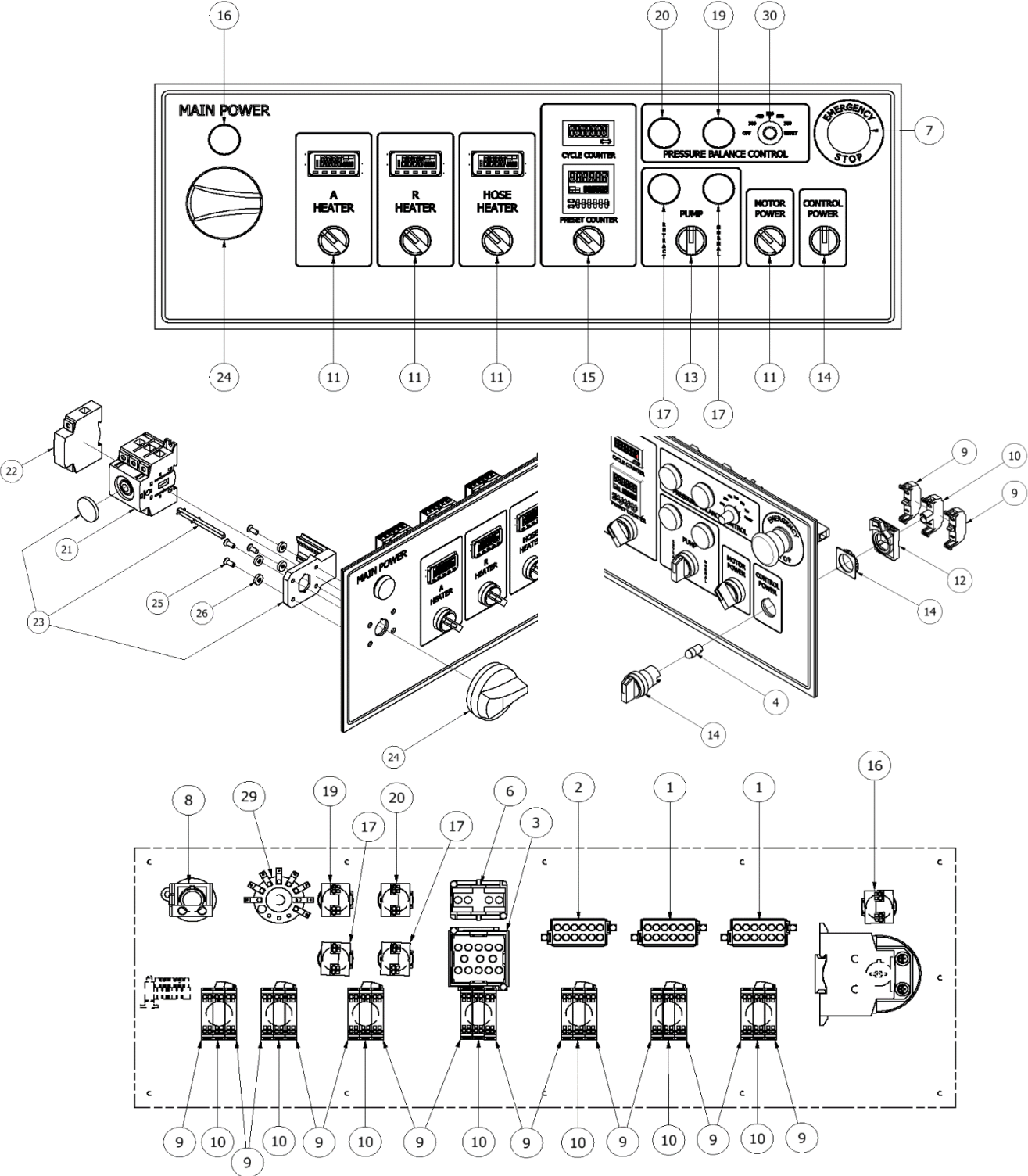


CIRCUIT FOR IDEC RELAY

220 VAC – 3 PHASE

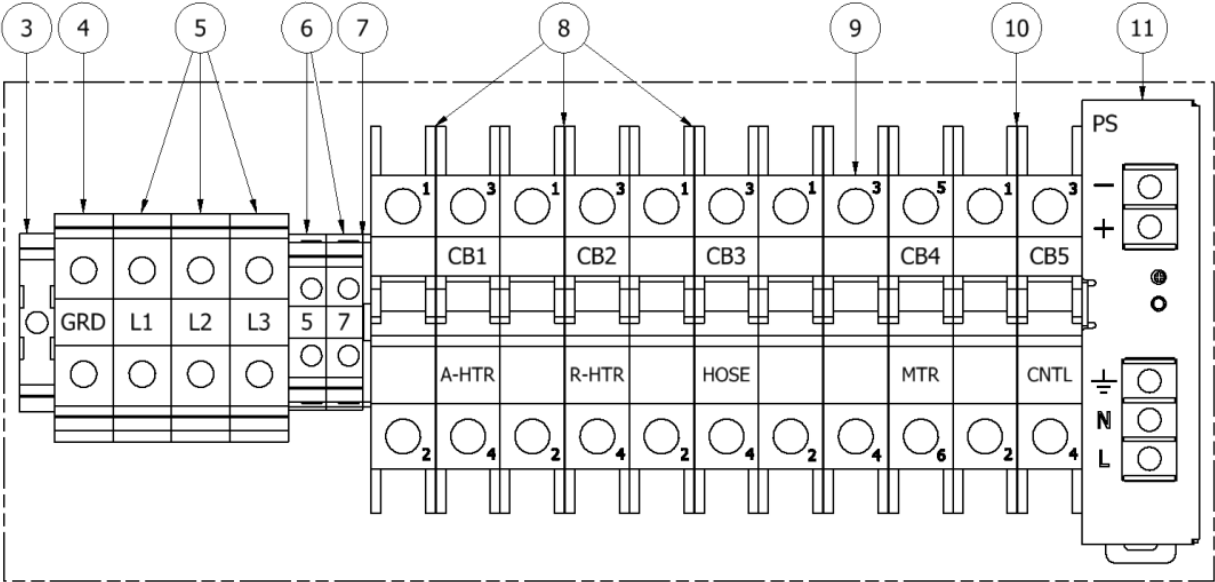
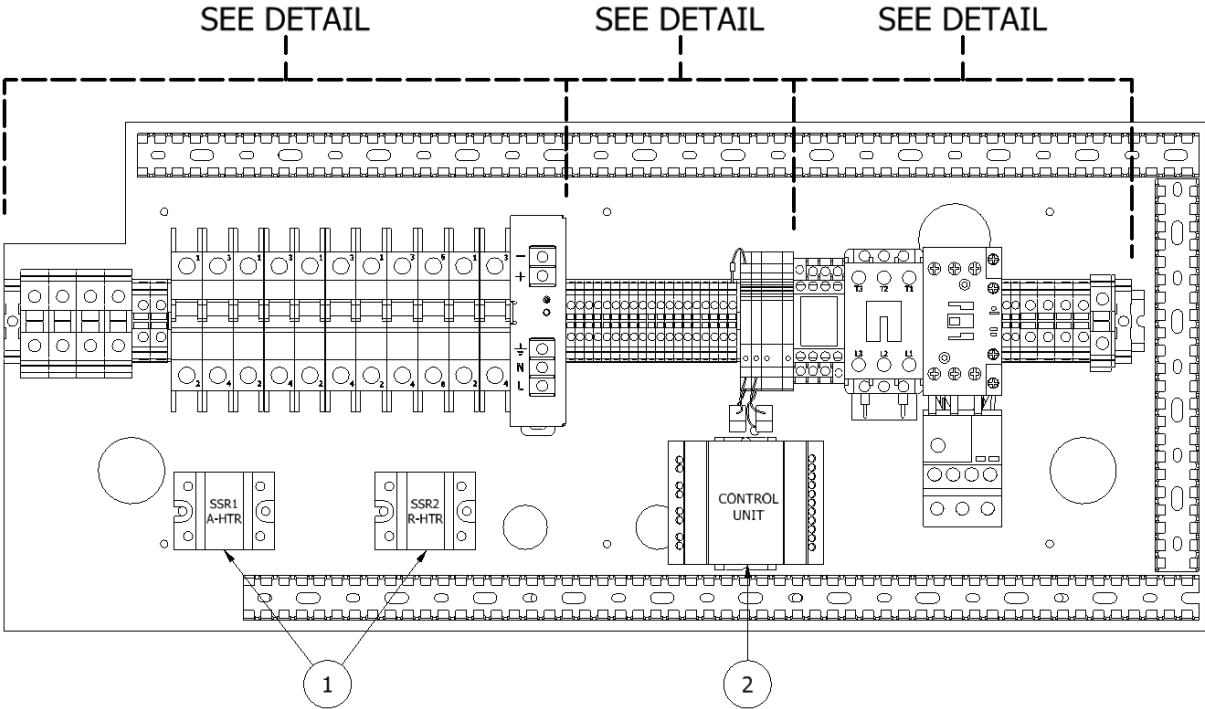
Component Identification

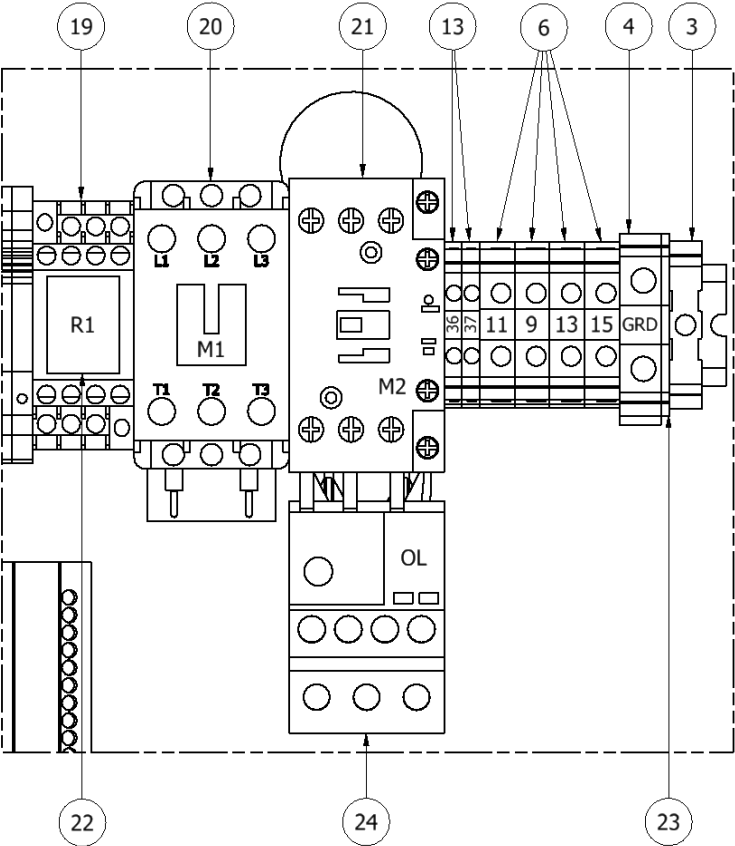
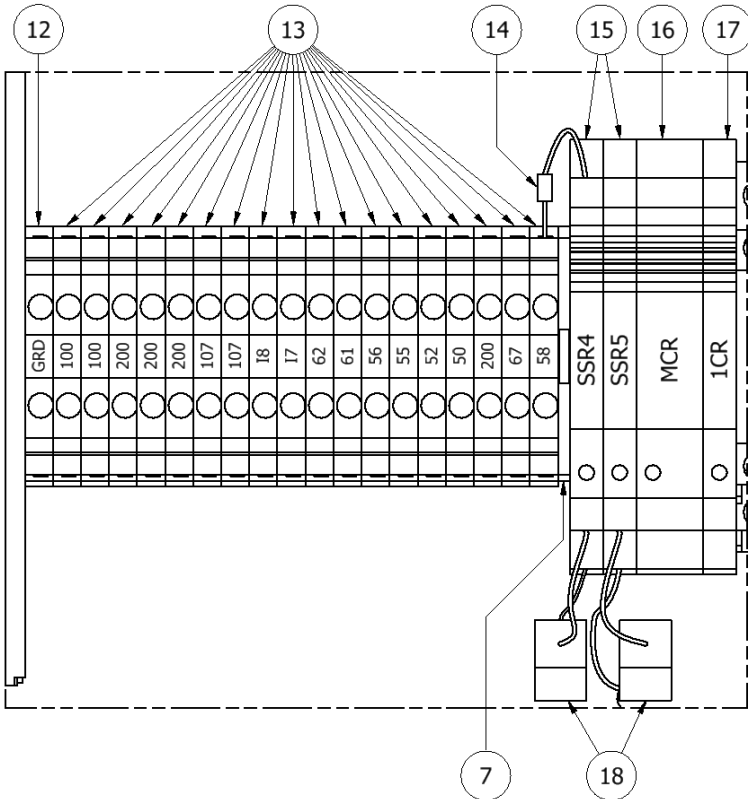
Front Panel (ALL CONSOLES)



COMPONENT LIST			
ITEM	QTY	PART NUMBER	DESCRIPTION
1	2	201154	TEMPERATURE CONTROLLER, HTR
2	1	201155	TEMPERATURE CONTROLLER, HOSE
3	1	201157	COUNTER, COUNTDOWN, PROGRAMMED, OMRON
4	5	201215	LIGHT UNIT, RED, 24VDC
5	1	201216	LIGHT UNIT, WHITE, 24VDC
6	1	201217	CYCLE COUNTER
7	1	201218	E-STOP PUSH-TWIST
8	1	201219	CONTACT BLOCK, NON-LIGHTED SPST-NC
9	14	201221	CONTACT BLOCK, NO, PUSH IN
10	7	201222	LAMP HOLDER, PUSH-IN
11	4	201223	22M SWITCH, 2 POS RED, MANUAL
12	7	201224	MOUNTING COLLAR, 22M
13	1	201225	22M SWITCH, 3 POS WHITE, MANUAL
14	1	201226	22M SWITCH, 3 POS RED, MANUAL
15	1	201227	22M SWITCH, 2 POS GREEN, MANUAL
16	1	201228	LIGHT UNIT, GREEN, 240VDC
17	2	201229	LIGHT UNIT, ORANGE, 24VDC
18	1	201257	LIGHT UNIT, GREEN, 24VDC
19	1	201301	LED LIGHT, GREEN, 24VDC
20	1	201302	LIGHT UNIT, RED, 24VDC
21	1	EL-100	ROTARY DISCONNECT; 80A; 3 POLE
22	1	EL-101	ROTARY DISCONNECT; 80A; 3 POLE
23	1	EL-103	DOOR MOUNTING KIT
24	1	EL-105	SELECTOR HANDLE; RED
25	4	EL-105_1	SCREW
26	4	EL-105_2	WASHER
27	1	EL-105_3	NUT
28	4	EL-105_4	GASKET
29	1	EL-196	SWITCH, ROTARY, 7 POS, 15A
30	1	EL-197	KNOB, 1/4 DIA. BLACK

Bottom Plate (PH-25 & PHX-25 ONLY)

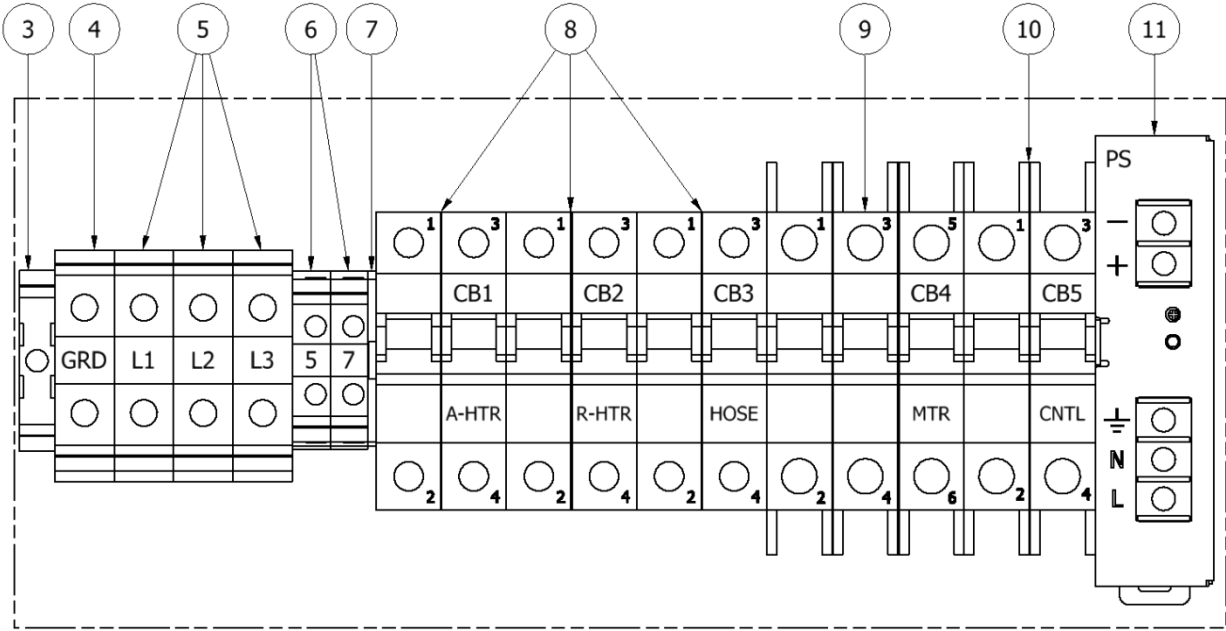
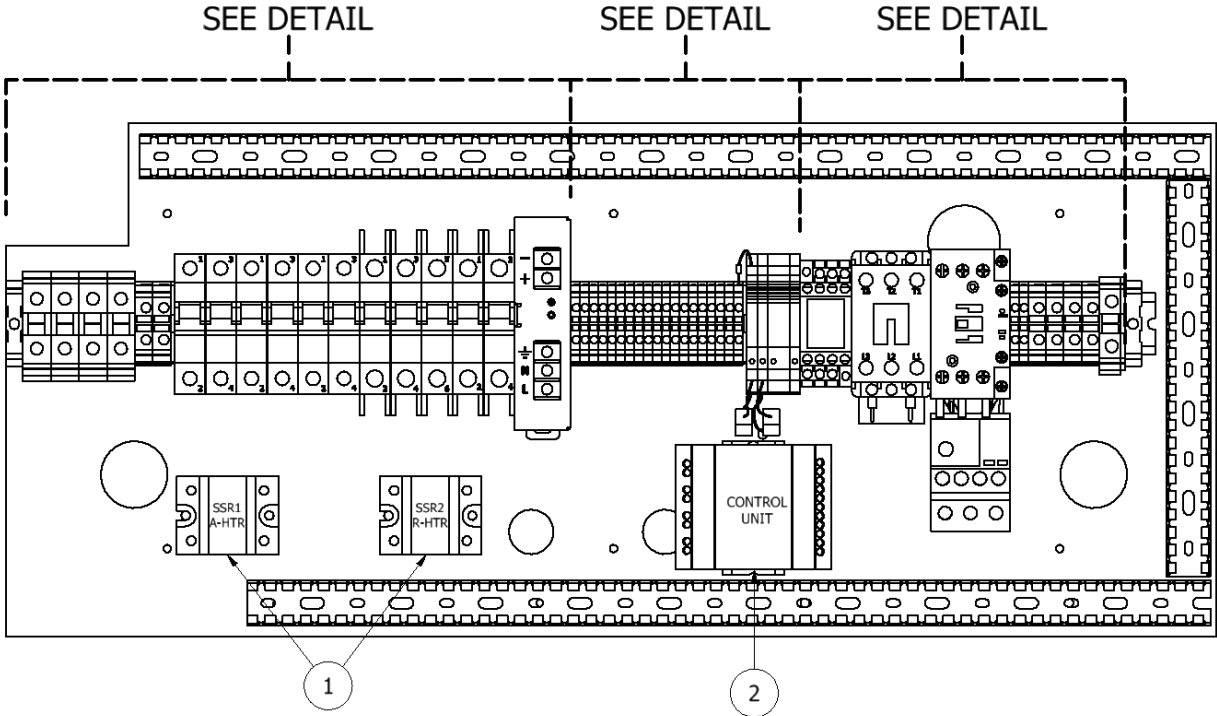


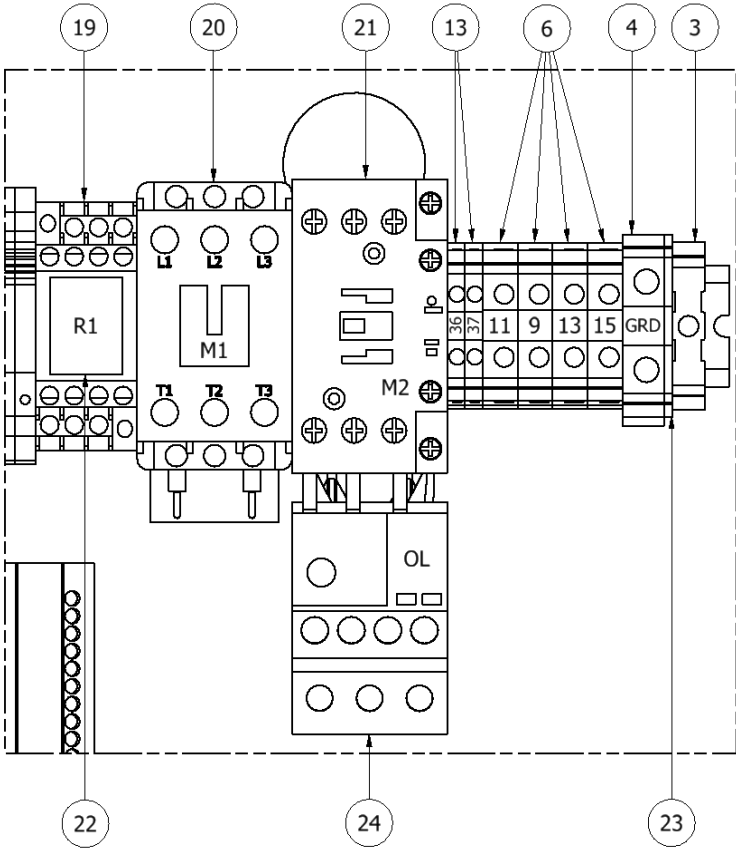
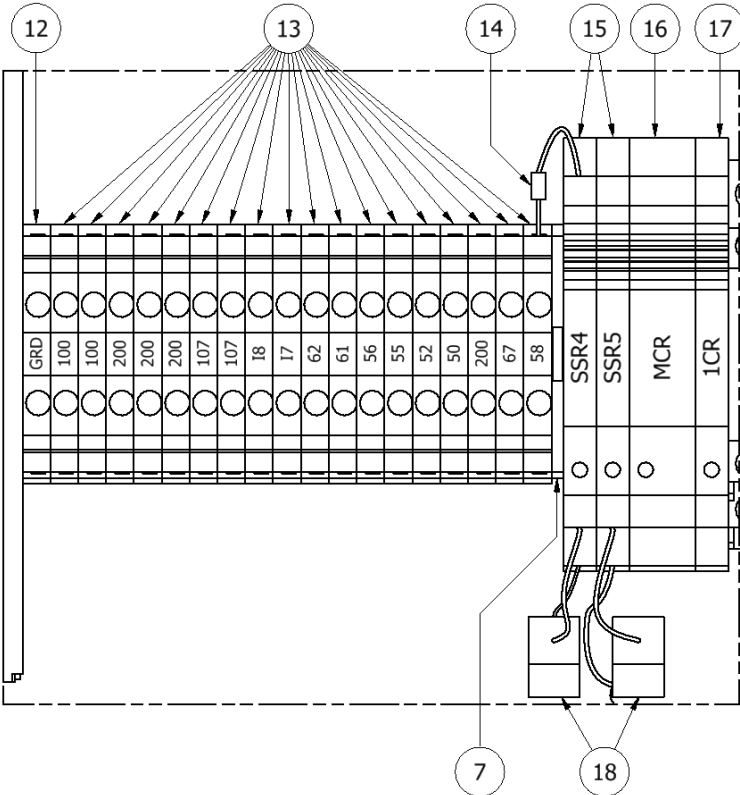


COMPONENT LIST			
ITEM	QTY	PART NUMBER	DESCRIPTION
1	2	EL-35	RELAY; 100AMP, 480V
2	1	EL-194-1	PROGRAMMED; EZ RELAY
3	2	EL-152	END STOP; 35MM
4	1	EL-146	TERMINAL BLOCK; 16MM; GROUND
5	3	EL-143	TERMINAL BLOCK; 16MM
6	6	EL-141	TERMINAL BLOCK; 10.2MM
7	2	EL-156-10	TERMINAL COVER; 10MM/5.2MM
8	3	EL-108	CIRCUIT BREAKER; 32A, 2 POLE
9	1	EL-183	CIRCUIT BREAKER; 20A, 3 POLE
10	1	EL-112	CIRCUIT BREAKER; 3A, 2 POLE
11	1	EL-122	POWER SUPPLY; 2.5A;230VAC/24VDC
12	1	EL-144	TERMINAL BLOCK; 5.2MM; GRND
13	20	EL-140	TERMINAL BLOCK; 5.2MM
14	1	EL-171	DIODE RECTIFIER 1000V; 1A
15	2	EL-160	SS RELAY; 24VDC; 2A
16	1	EL-174	SS RELAY; 24 VDC
17	1	EL-198	SS RELAY; 24 VDC
18	2	EL-172	RESISTOR; 220 OHM; 5%; 3W; MET
19	1	EL-155	RELAY SOCKET
20*	1	EL-125-EATON	CONTACTOR; 40A, 24VDC, EATON
	1	EL-125-CARLO	CONTACTOR; 40A, 24VDC, CARLO
21	1	EL-118	CONTACTOR; 32A; 24VDC COIL
	1	EL-119	CONTACTOR; 25A; 24VDC COIL
22	1	EL-154	LATCHING RELAY 24V
23	1	EL-156	END COVERS; 12MM TERM BLOCKS
24	1	EL-161	MOTOR OVERLOAD
25	1	EL-145	12MM GROUND BLOCK 15-4 AWG

*Older consoles will have Eaton™ contactors and newer consoles will have Carlo Gavazzi™ contactors. Note the manufacturer before ordering because they are not direct replacements for each other.

Bottom Plate (PH-40 & PHX-40 ONLY)



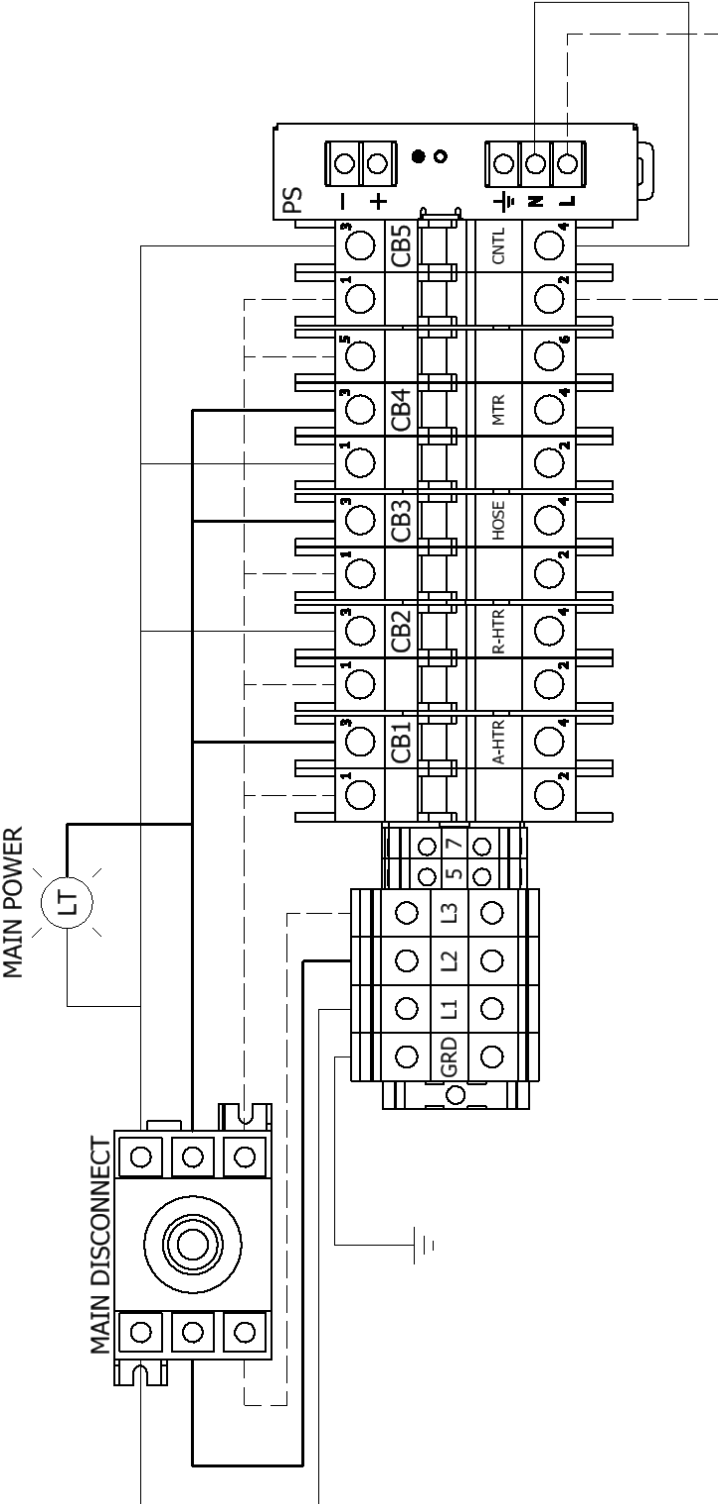


COMPONENT LIST			
ITEM	QTY	PART NUMBER	DESCRIPTION
1	2	EL-35	RELAY; 100AMP, 480V
2	1	EL-194-1	PROGRAMMED; EZ RELAY
3	2	EL-152	END STOP; 35MM
4	2	EL-146	TERMINAL BLOCK; 16MM; GROUND
5	3	EL-143	TERMINAL BLOCK; 16MM
6	6	EL-141	TERMINAL BLOCK; 10.2MM
7	2	EL-156-10	TERMINAL COVER; 10MM/5.2MM
8	3	EL-175	CIRCUIT BREAKER; 50A, 2 POLE
9	1	EL-182	CIRCUIT BREAKER; 32A, 3 POLE
10	1	EL-112	CIRCUIT BREAKER; 3A, 2 POLE
11	1	EL-122	POWER SUPPLY; 2.5A;230VAC/24VDC
12	1	EL-144	TERMINAL BLOCK; 5.2MM; GRND
13	20	EL-140	TERMINAL BLOCK; 5.2MM
14	1	EL-171	DIODE RECTIFIER 1000V; 1A
15	2	EL-160	SS RELAY; 24VDC; 2A
16	1	EL-174	SS RELAY; 24 VDC
17	1	EL-198	SS RELAY; 24 VDC
18	2	EL-172	RESISTOR; 220 OHM; 5%; 3W; MET
19	1	EL-155	RELAY SOCKET
20*	1	EL-125-EATON	CONTACTOR; 40A, 24VDC, EATON
	1	EL-125-CARLO	CONTACTOR; 40A, 24VDC, CARLO
21	1	EL-118	CONTACTOR; 32A; 24VDC COIL
	1	EL-119	CONTACTOR; 25A; 24VDC COIL
22	1	EL-154	LATCHING RELAY 24V
23	1	EL-156	END COVERS; 12MM TERM BLOCKS
24	1	EL-161	MOTOR OVERLOAD

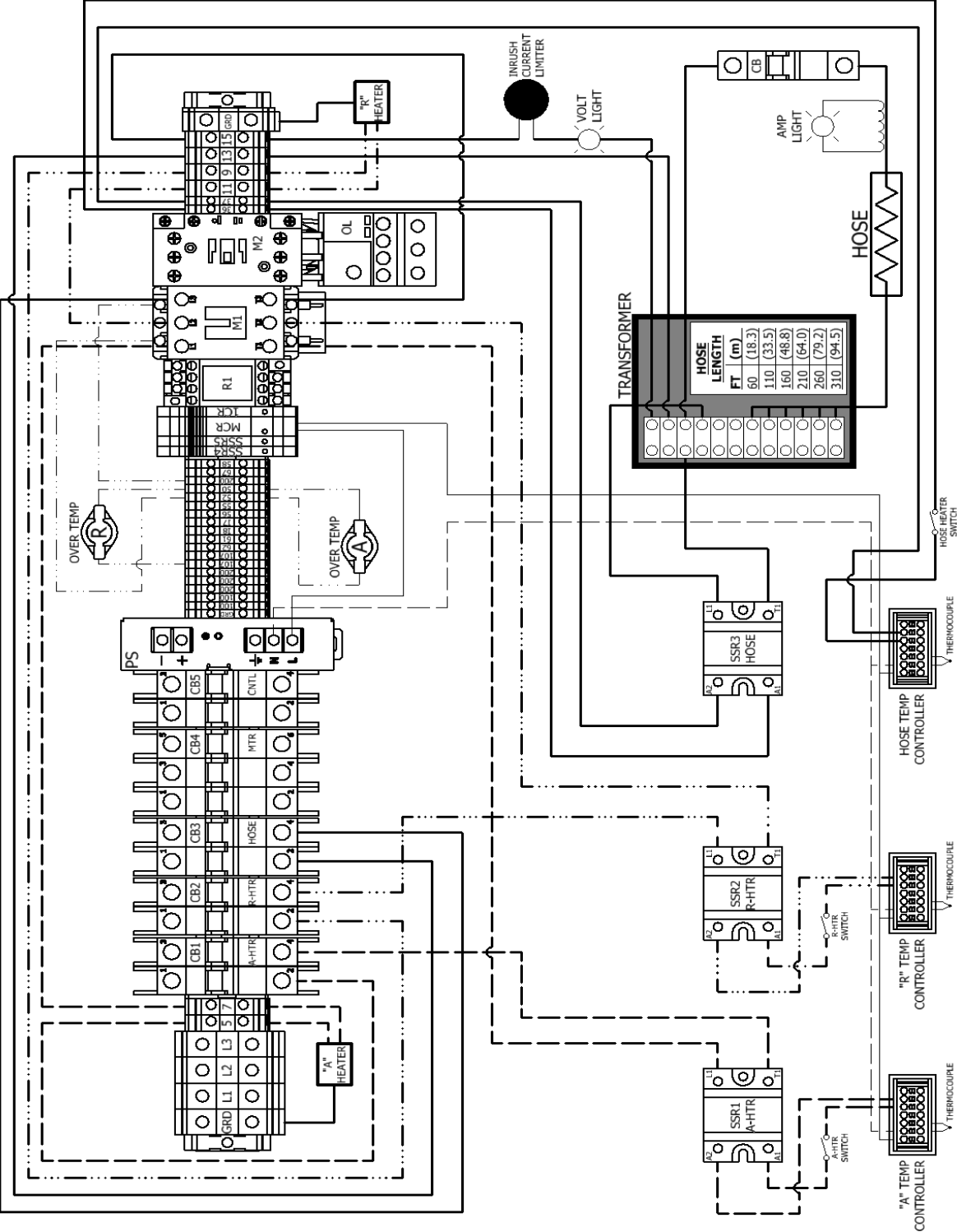
*Older consoles will have Eaton™ contactors and newer consoles will have Carlo Gavazzi™ contactors. Note the manufacturer before ordering because they are not direct replacements for each other.

Point to Point Diagrams (PH-25 & PHX-25 ONLY)

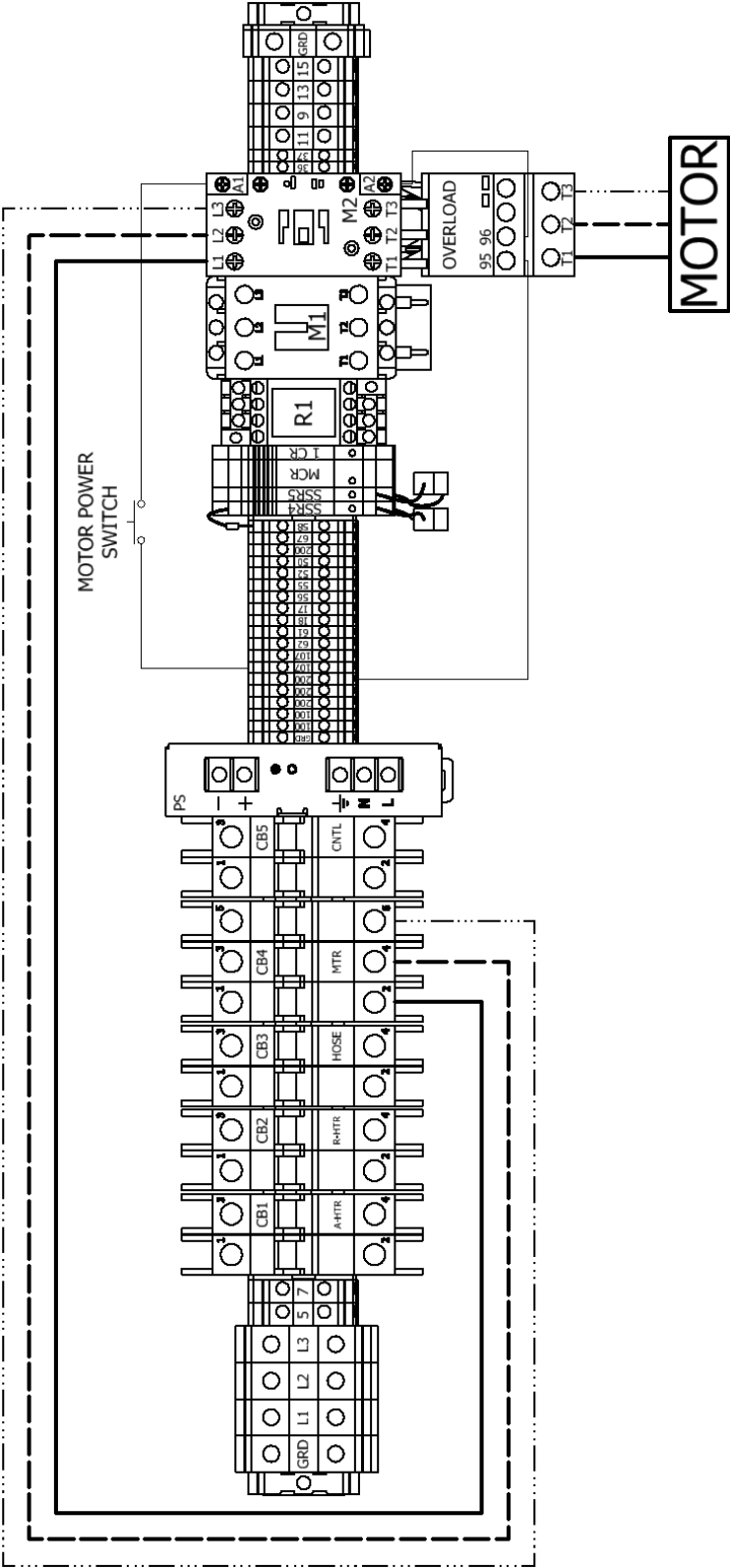
Incoming Power



Heater Circuit

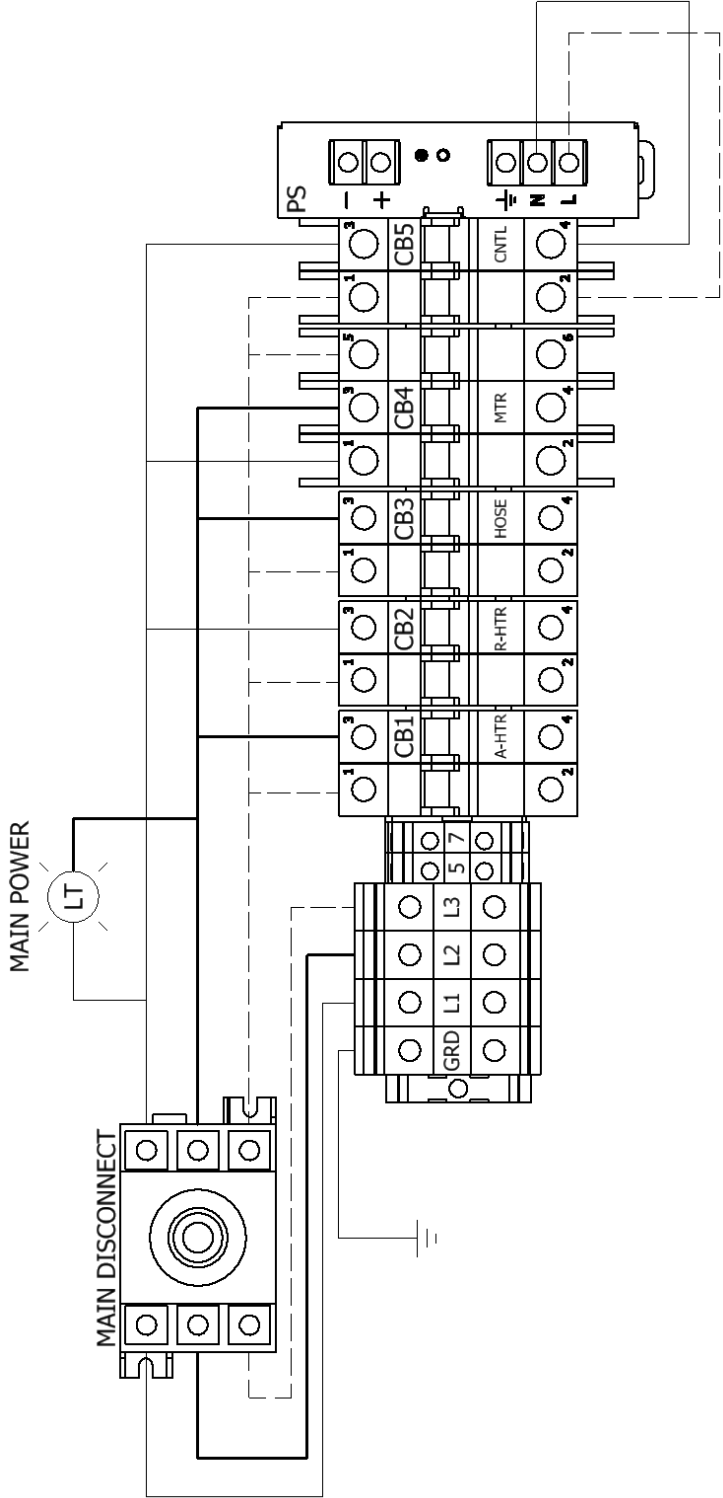


Motor Circuit

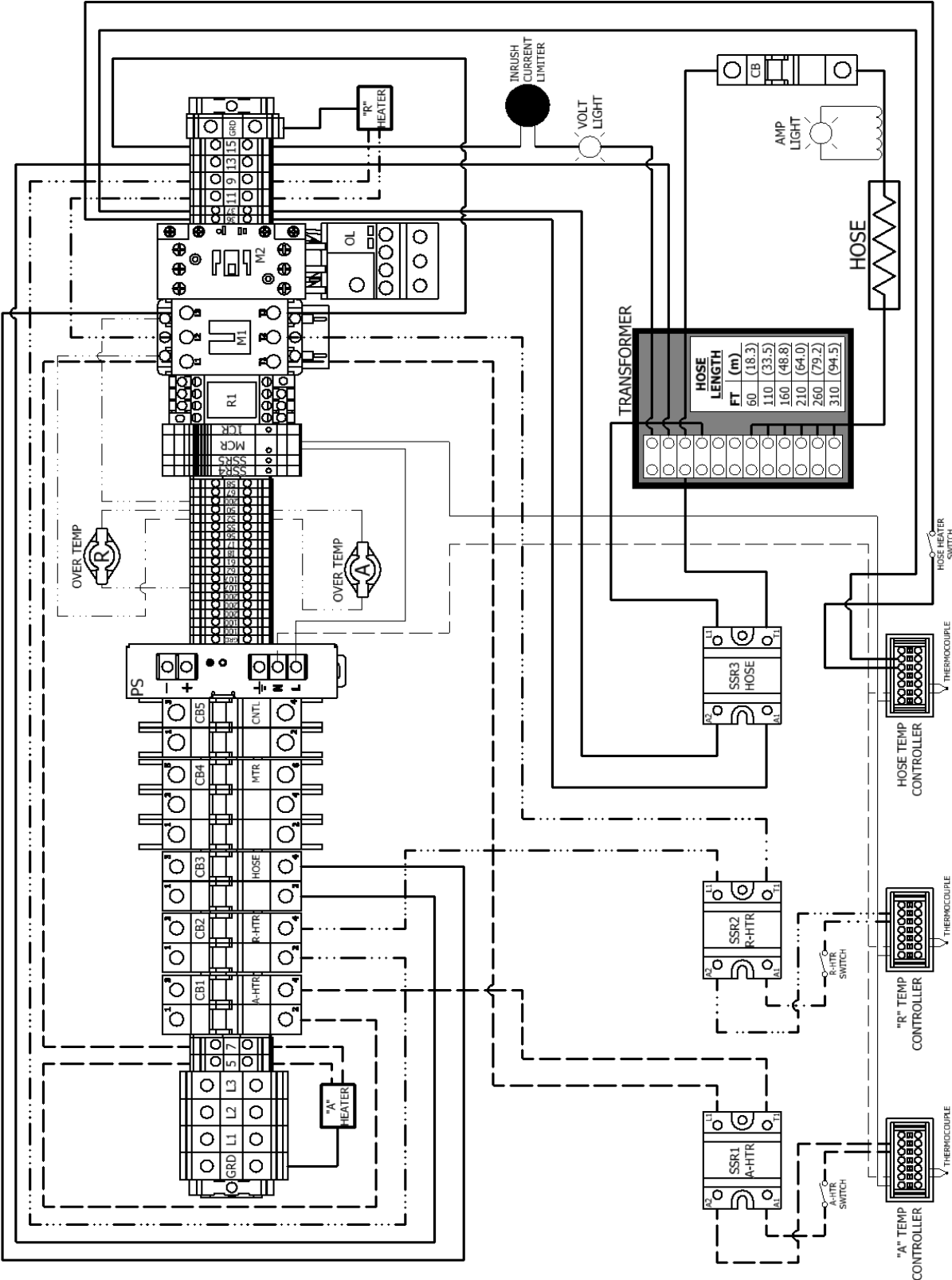


Point to Point Diagrams (PH-40 & PHX-40 ONLY)

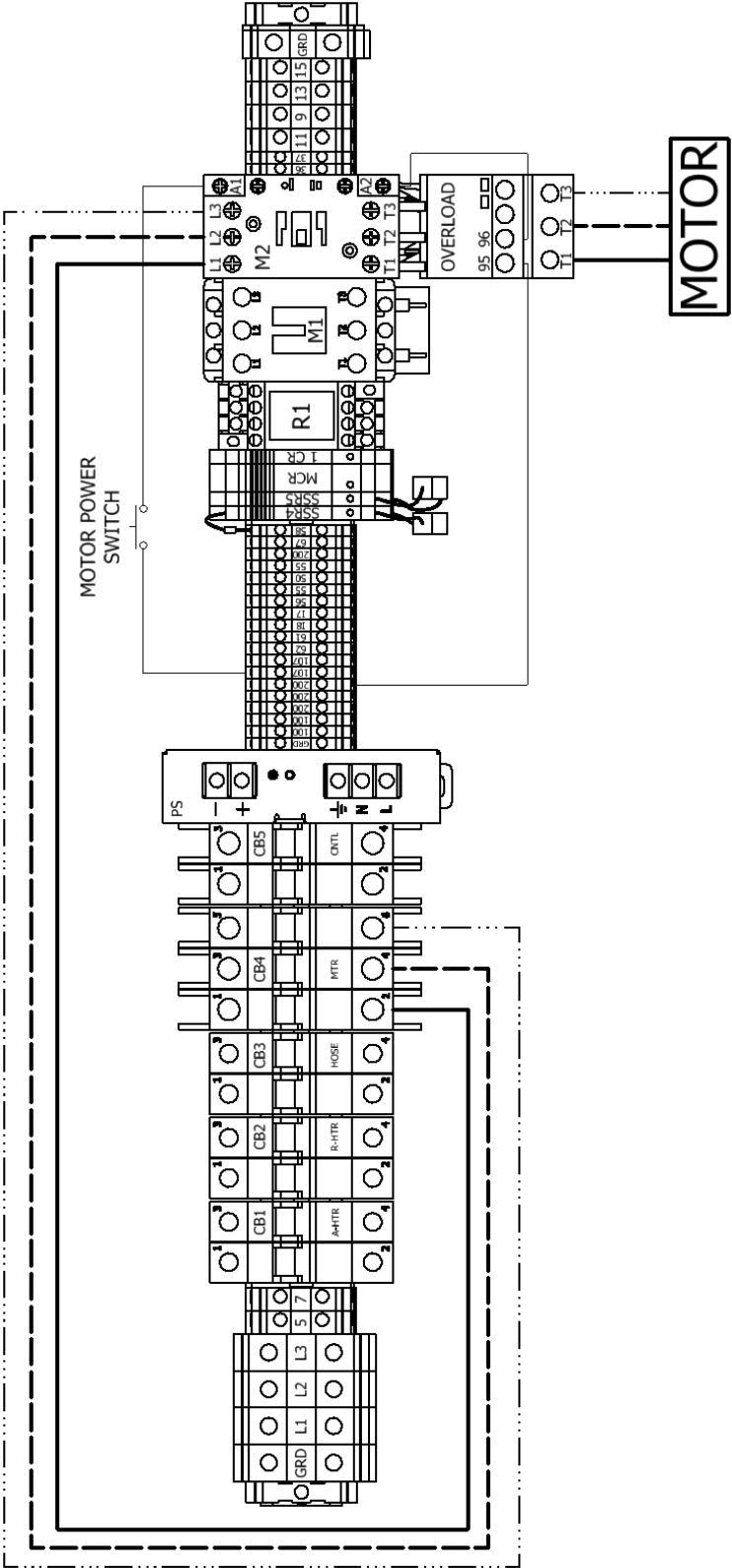
Incoming Power



Heater Circuit

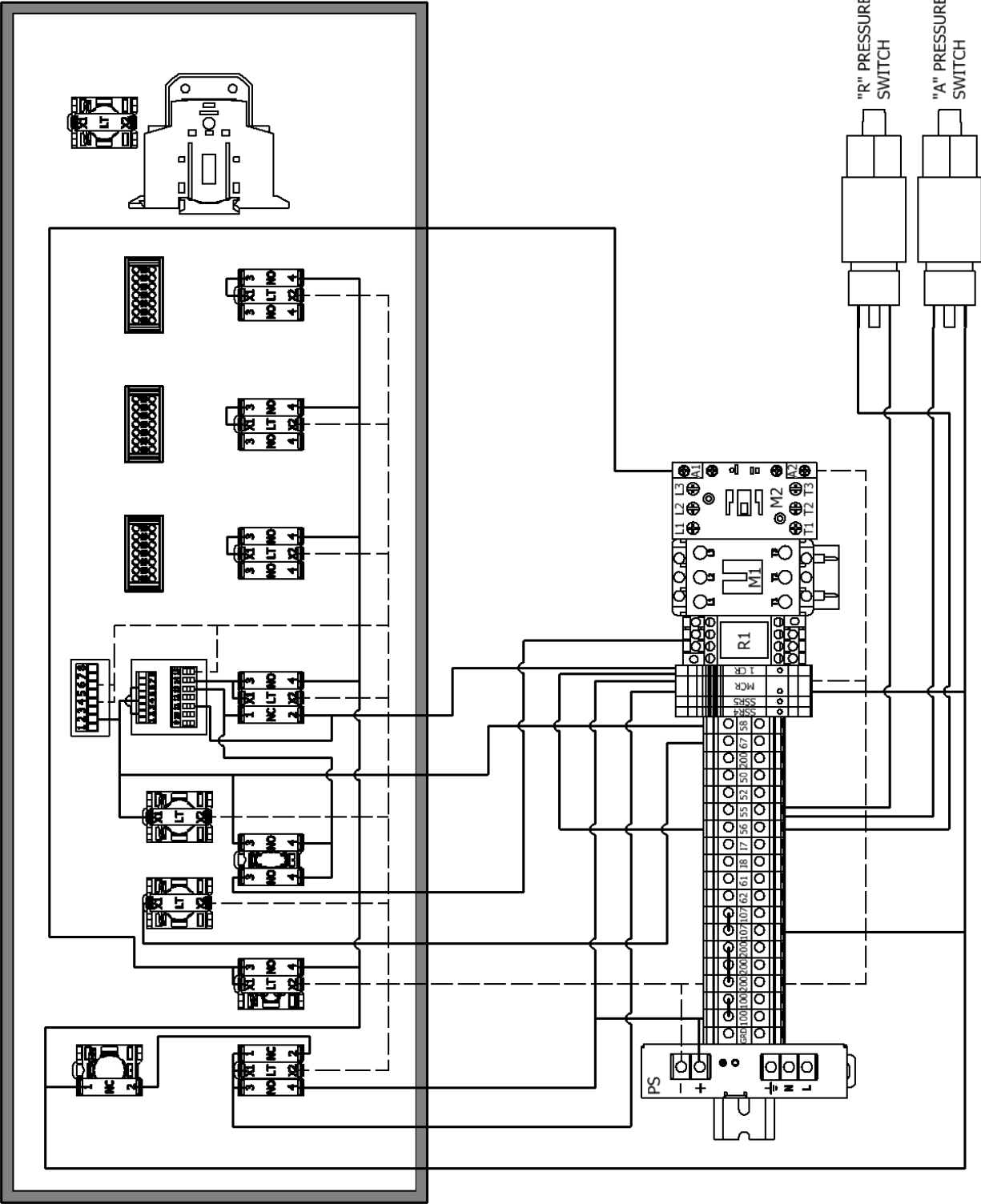


Motor Circuit

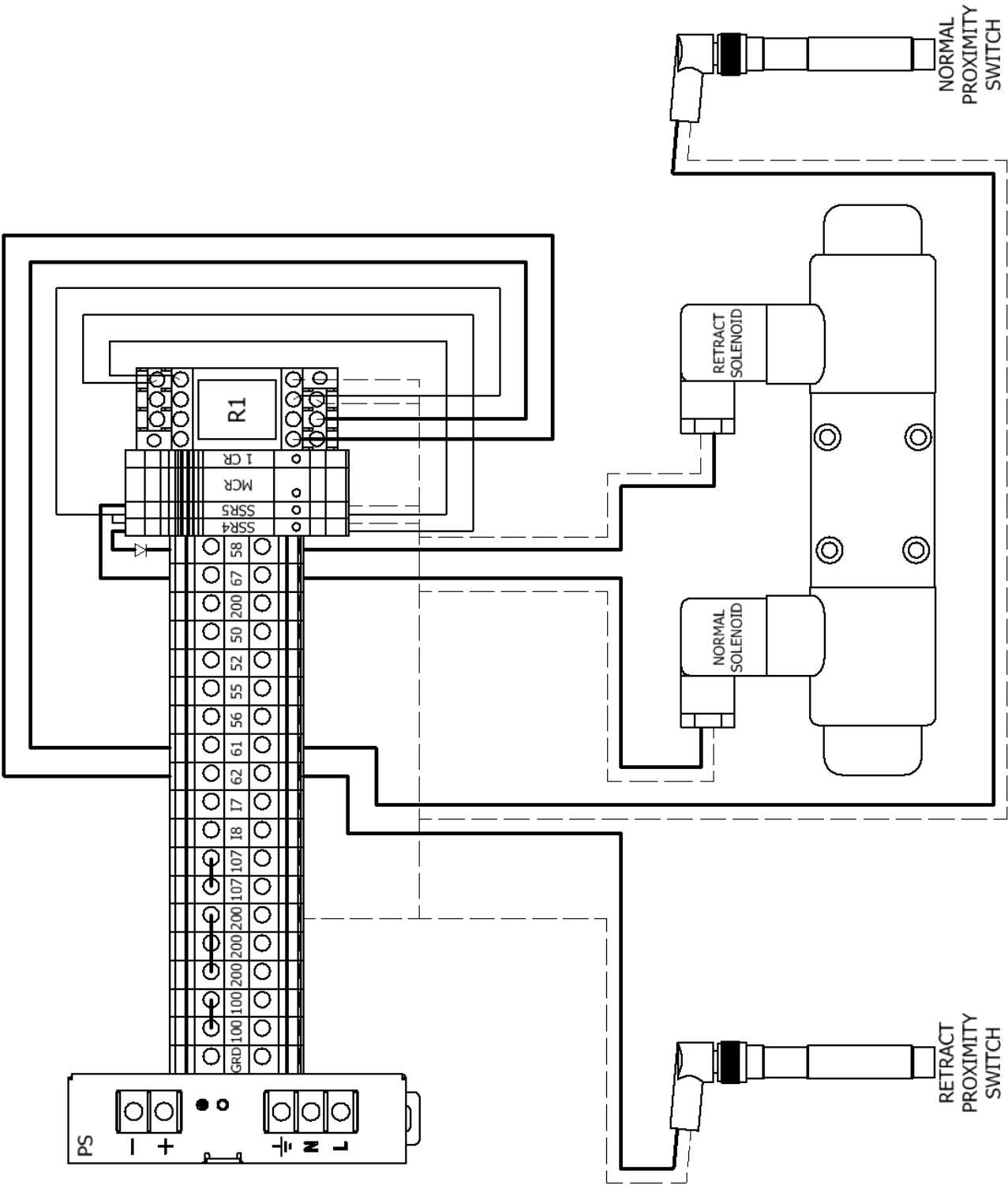


Point to Point Diagrams (ALL CONSOLES)

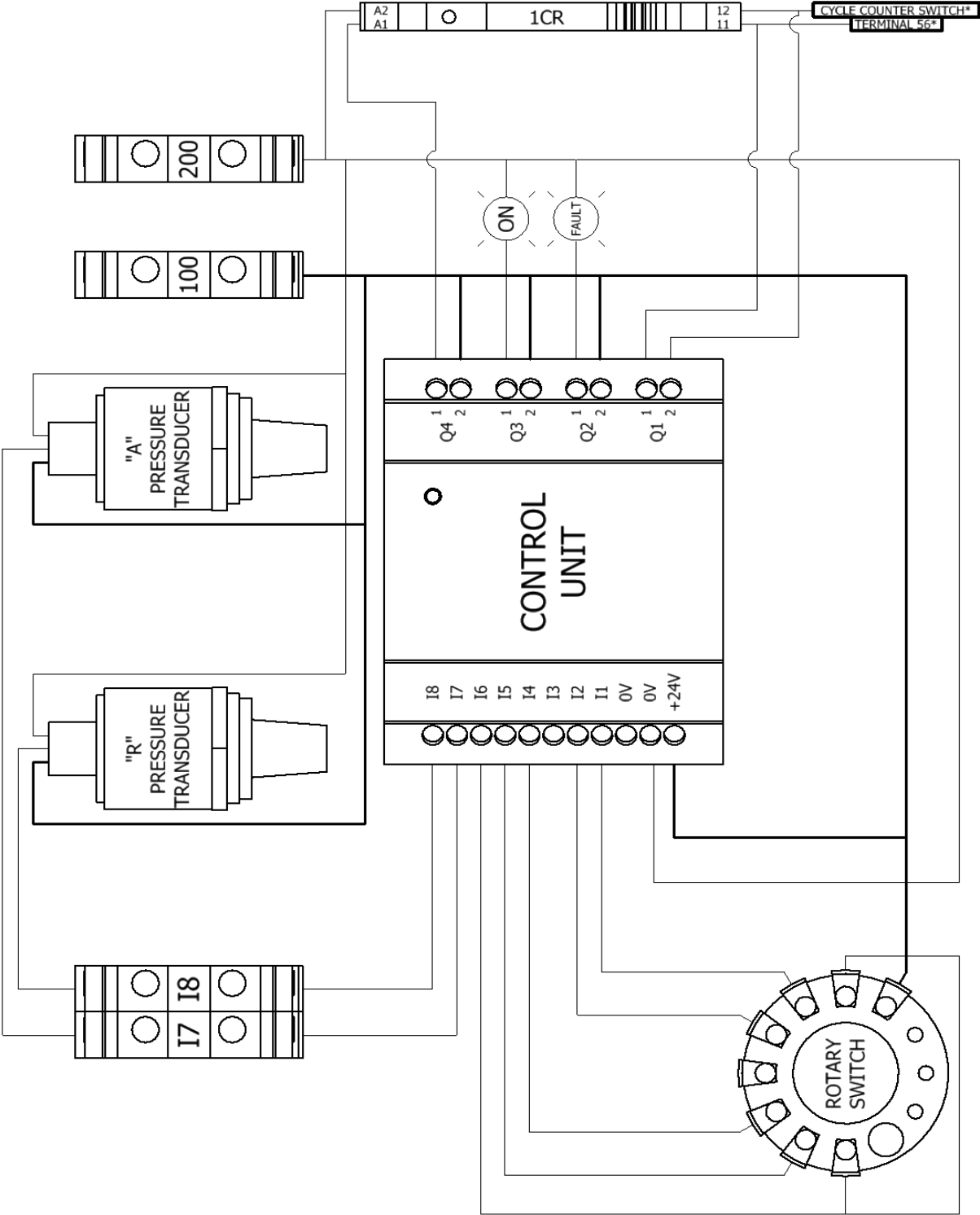
24 VDC Power Circuit



Pump Circuit



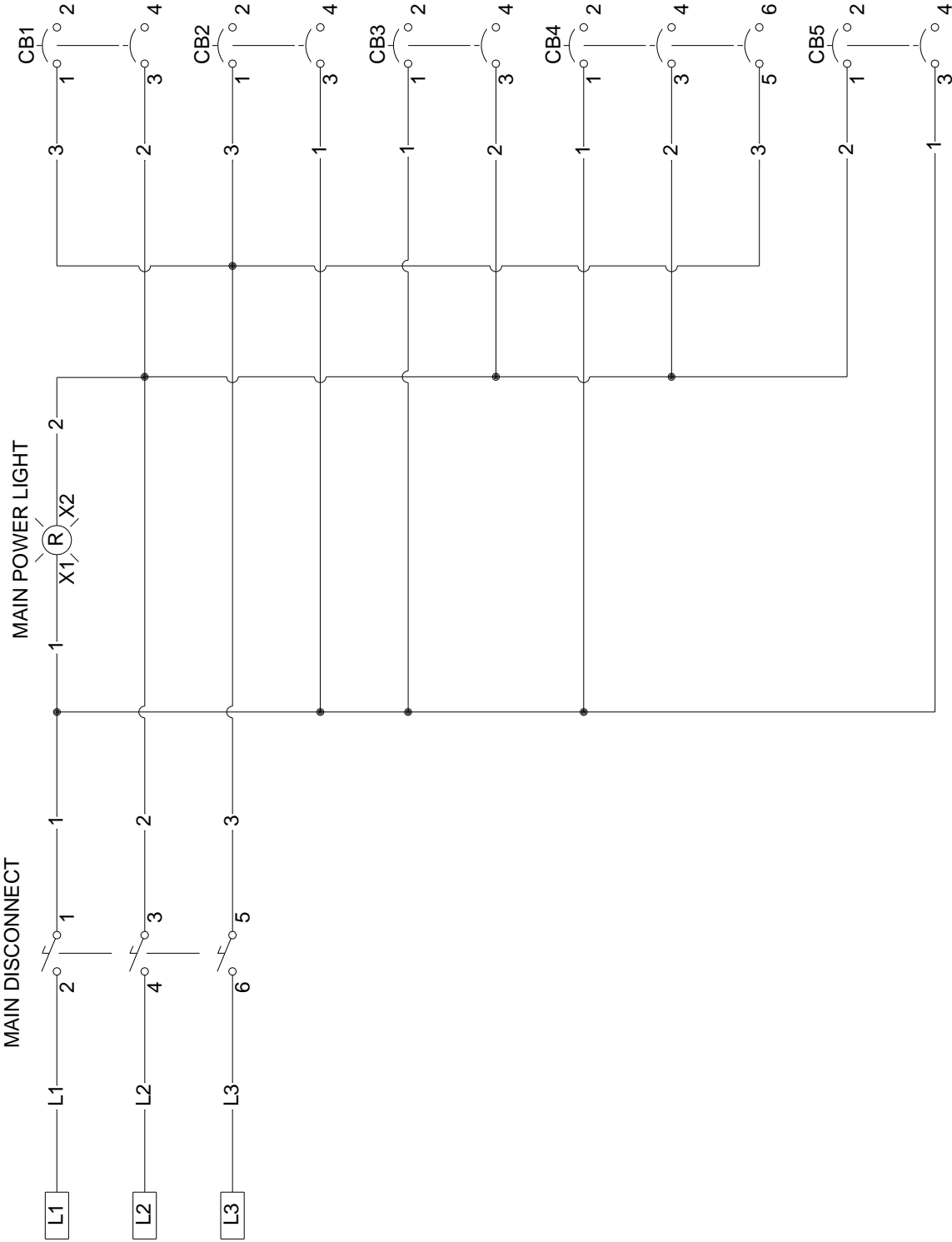
Pressure Balance Control Circuit



* See 24 VDC Power Circuit (Pg. 44)

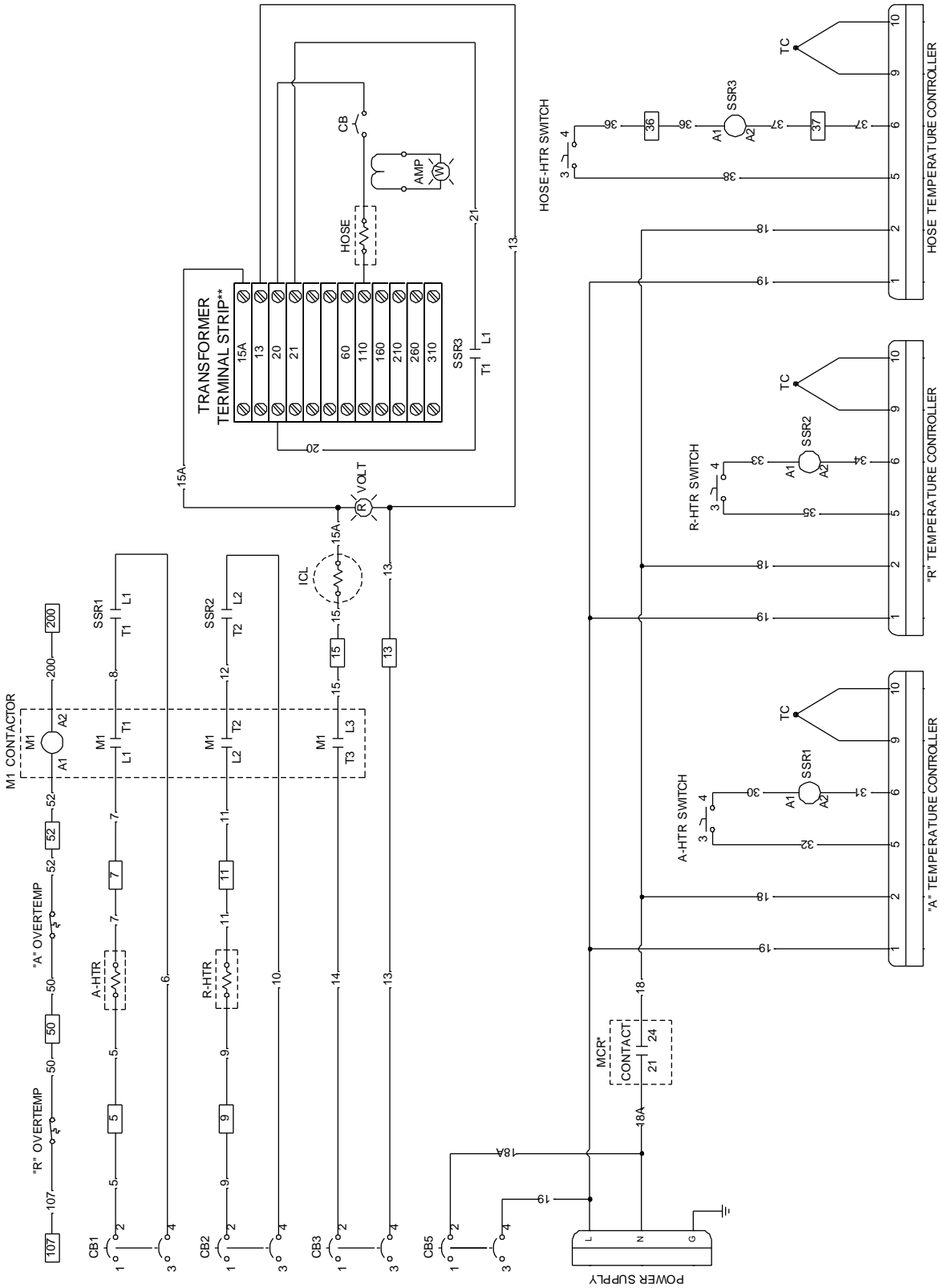
Ladder Diagrams (ALL CONSOLES)

Incoming Power



Heater Circuit

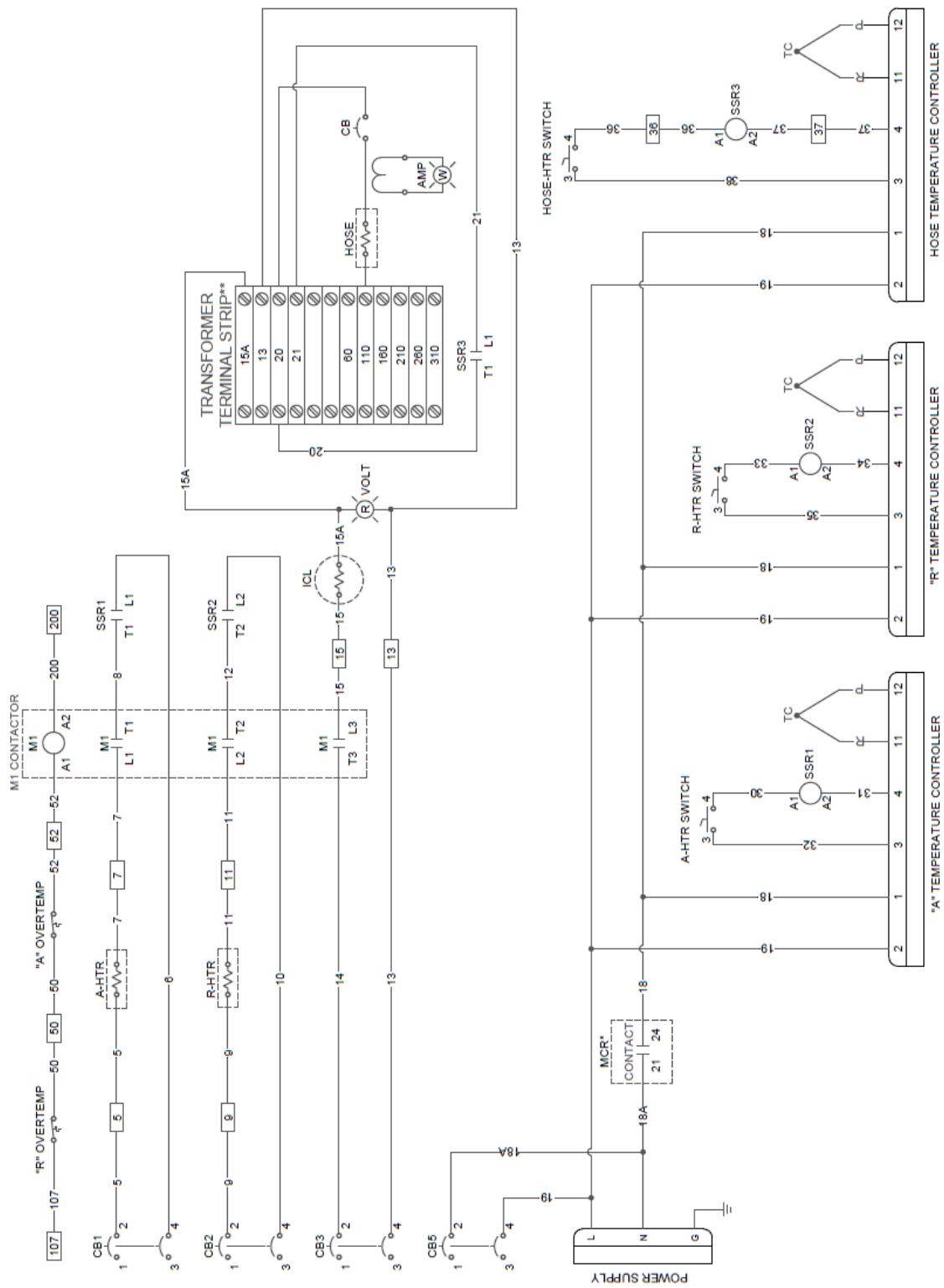
EATON CONTROLLER



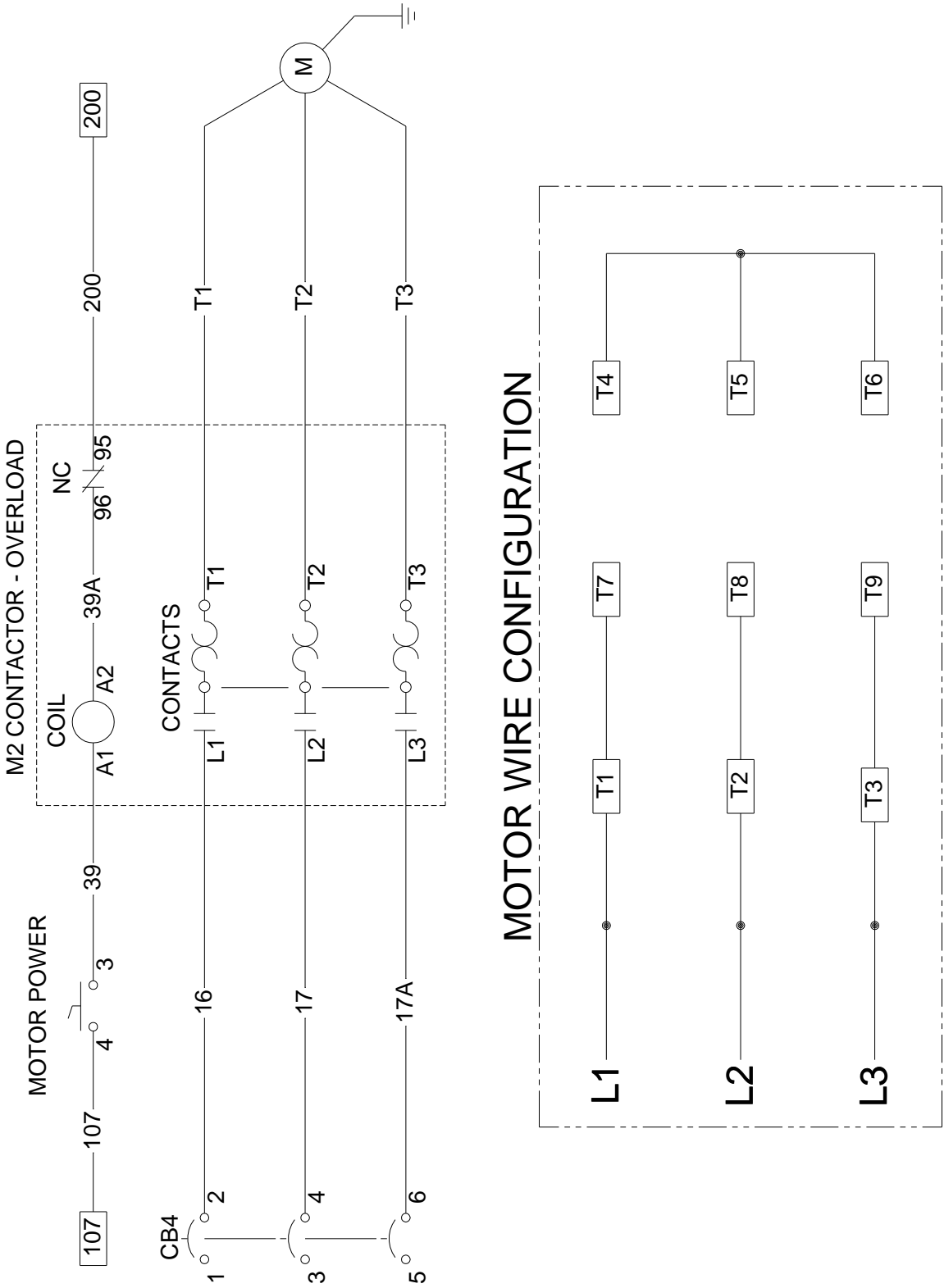
*See 24 VDC Power Circuit (Pg. 51) for complete MCR wire connections

**PH-40 & PHX-40 machines include two additional hose tap terminals for hose lengths of 360 and 410 feet.

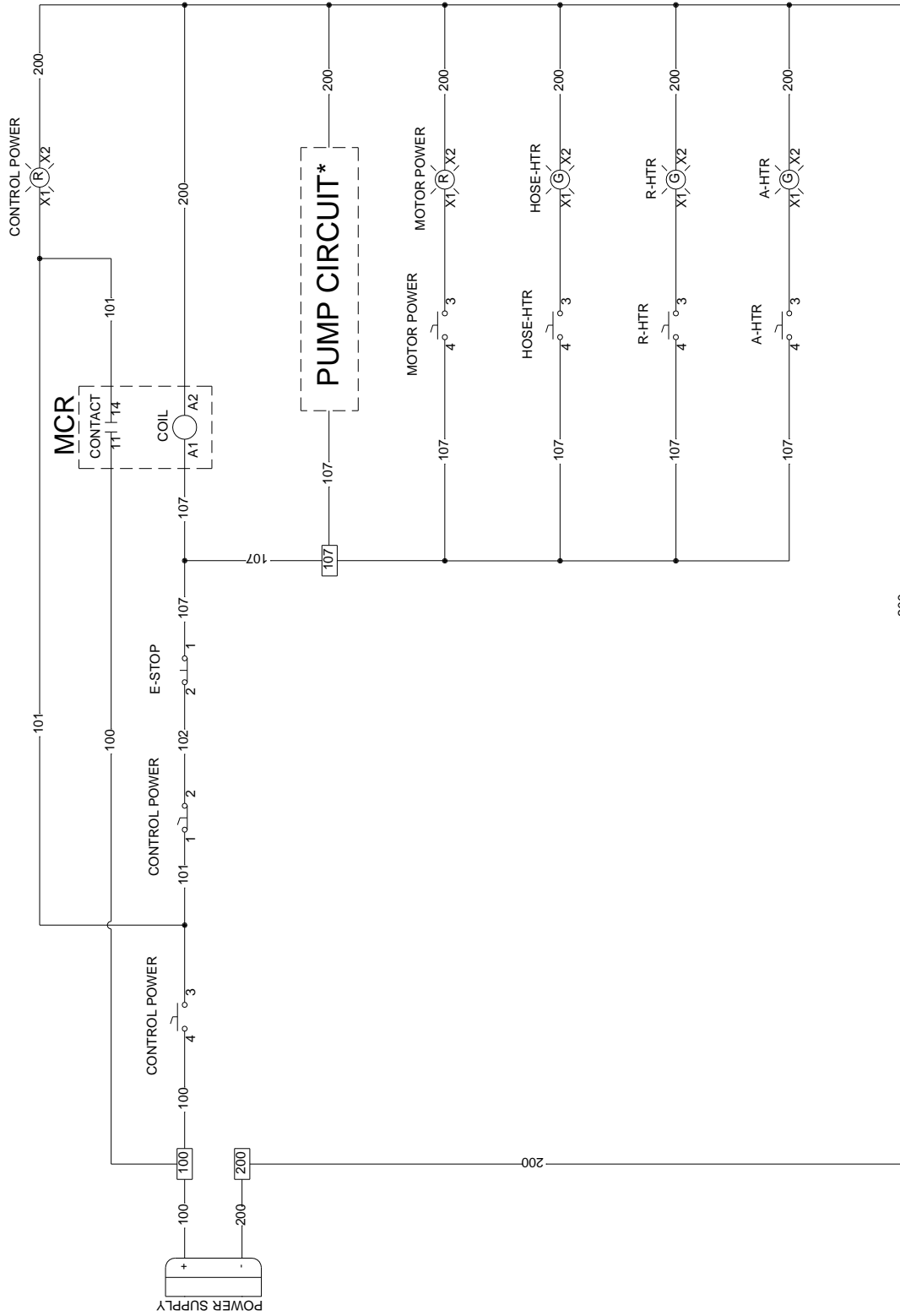
OMRON CONTROLLER



Motor Circuit

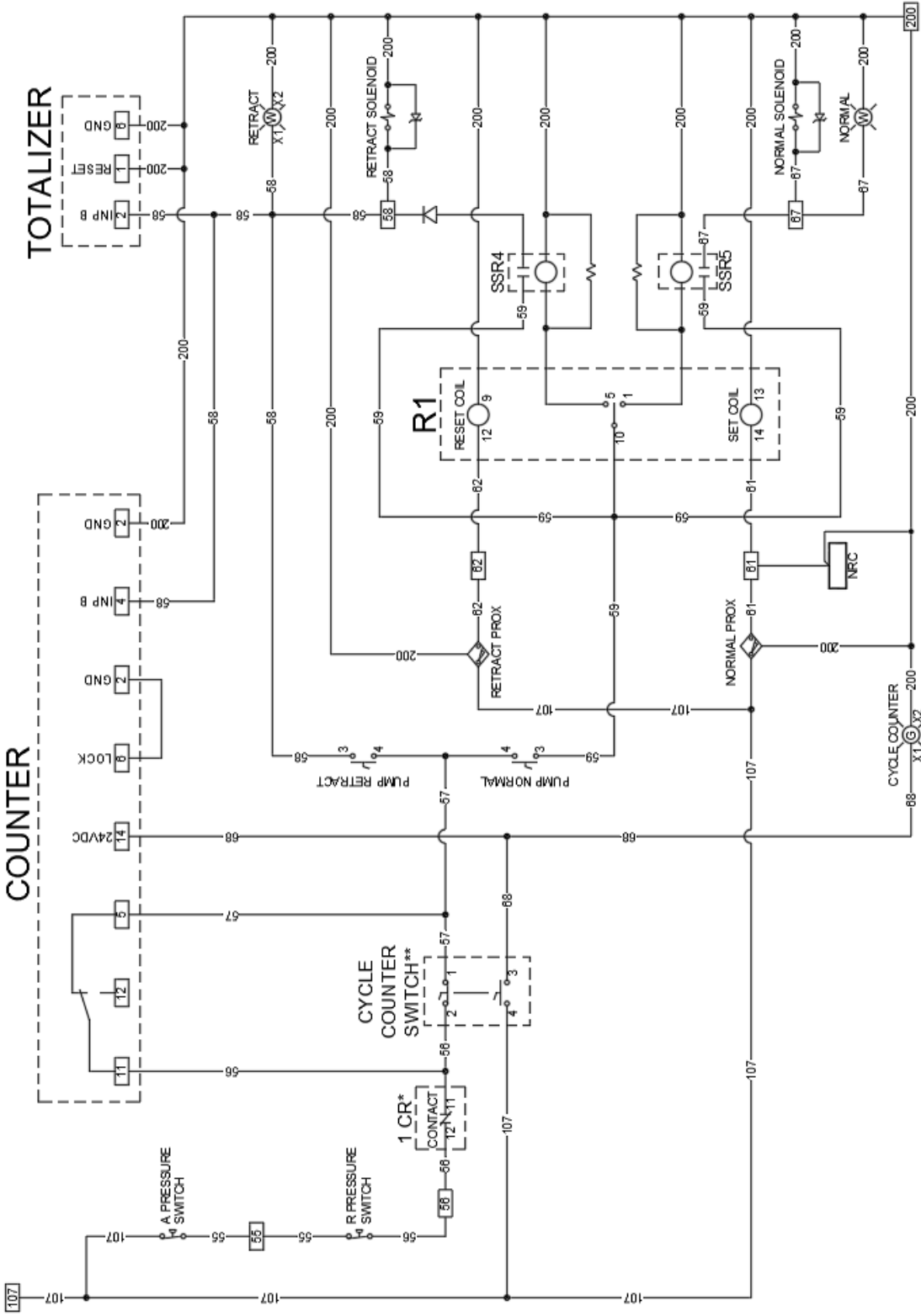


24 VDC Power Circuit



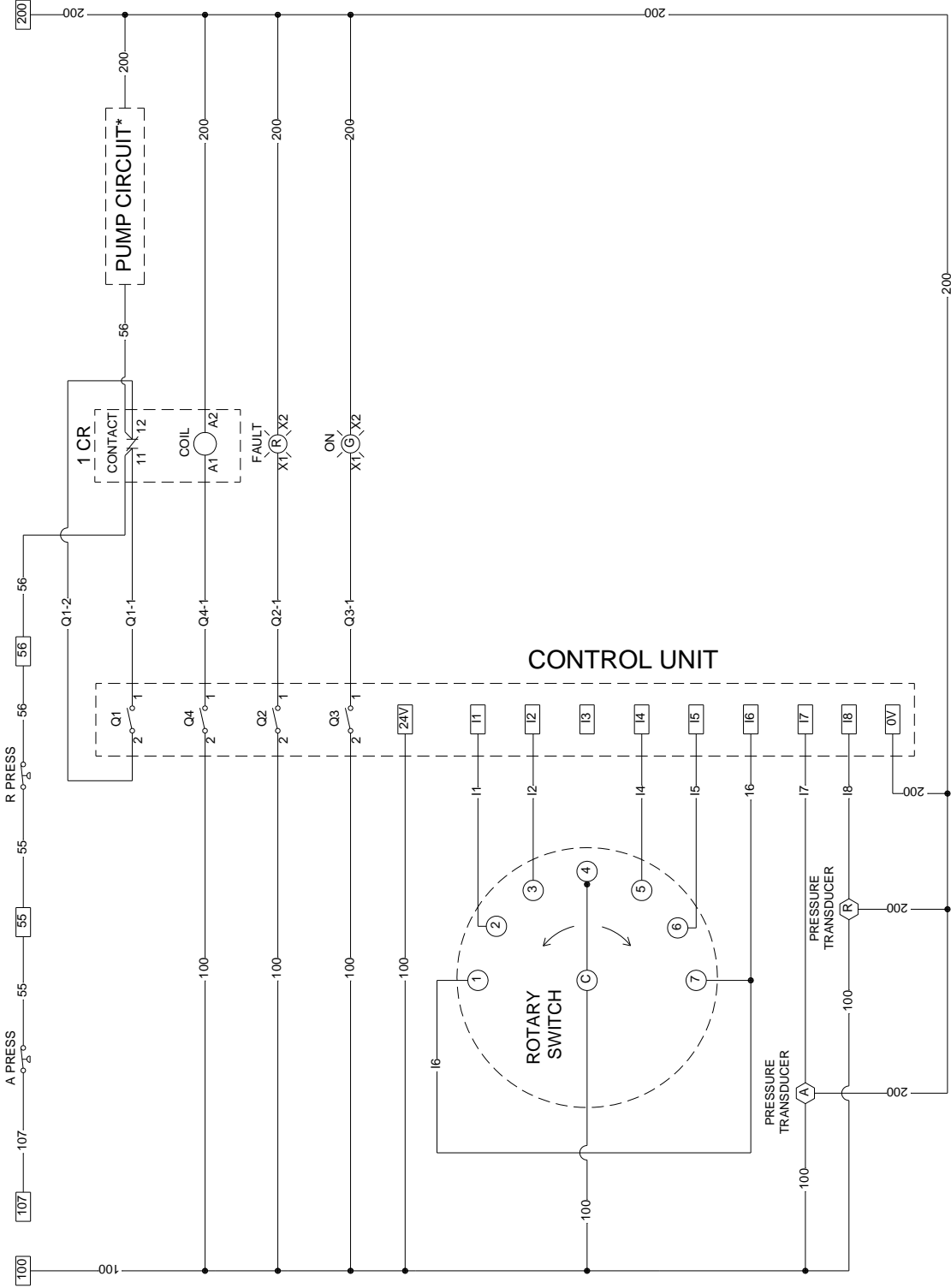
*See Pump Circuit (Pg. 52)

Pump Circuit

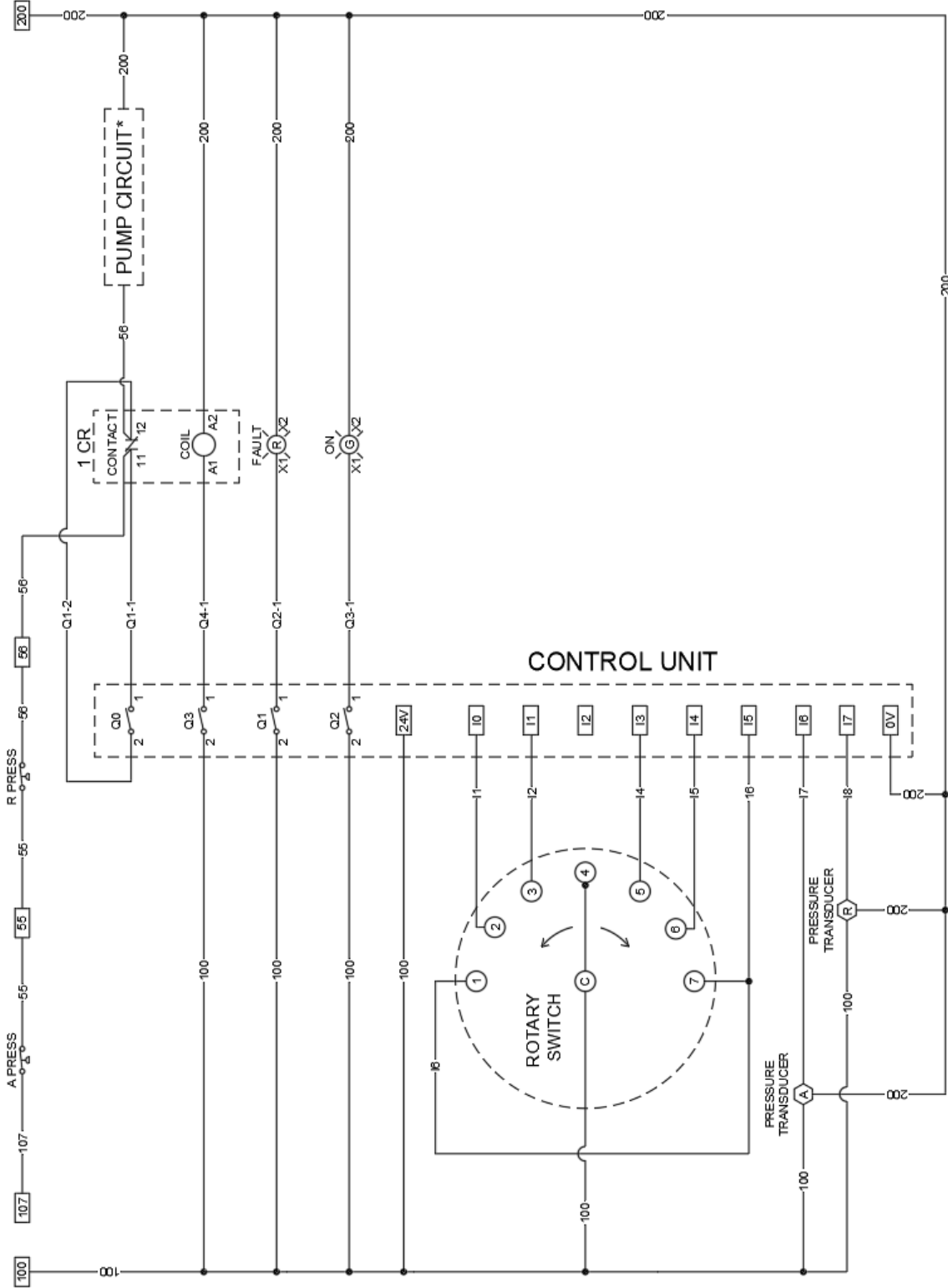


*See Pressure Balance Control Circuit (Pg. 53) for complete 1 CR wire connections
 **When the cycle counter switch is turned " ON" , the NC switch opens and the NO switch closes simultaneously

Pressure Balance Control Circuit



CIRCUIT FOR EATON RELAY

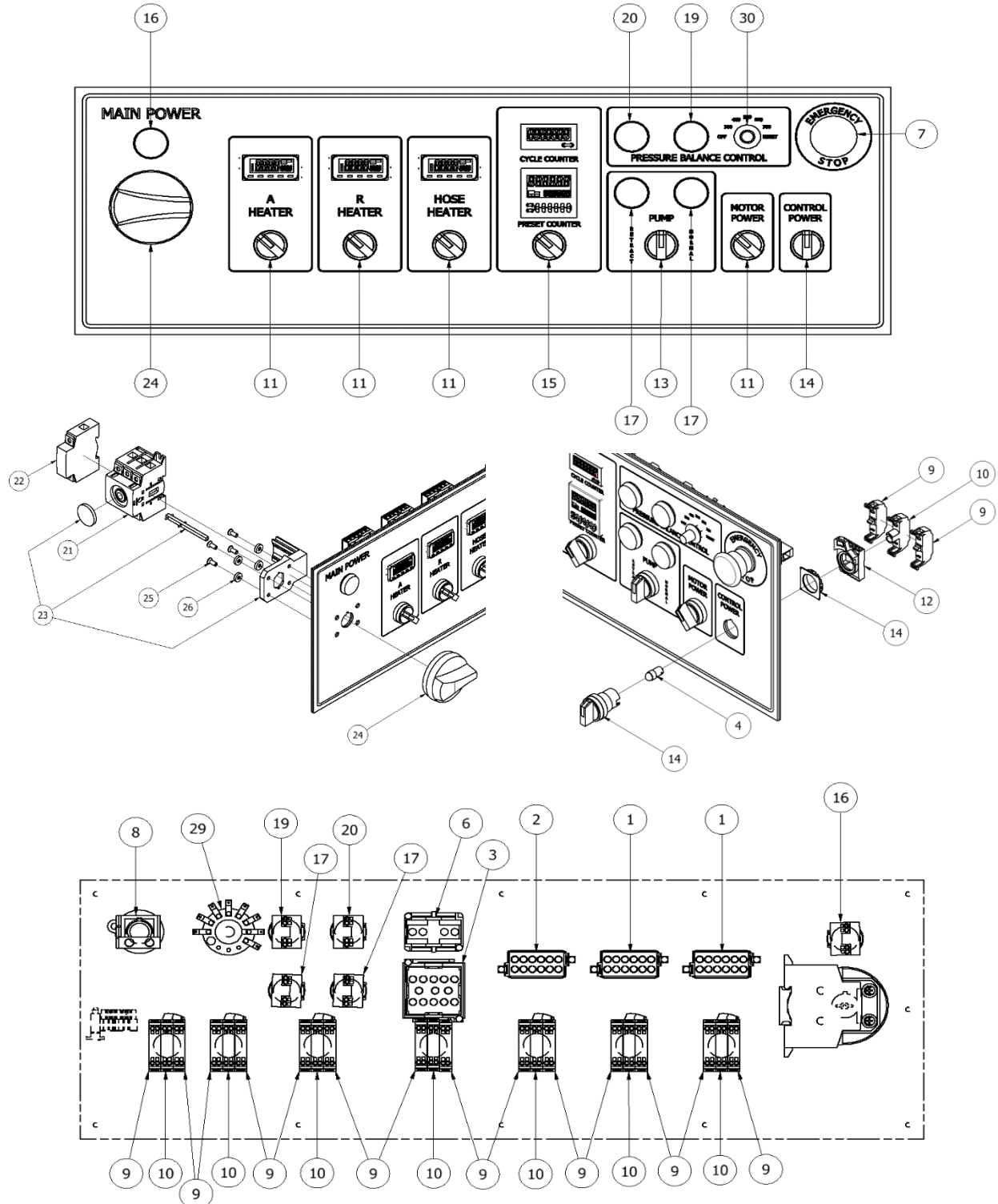


CIRCUIT FOR IDEC RELAY

400 VAC

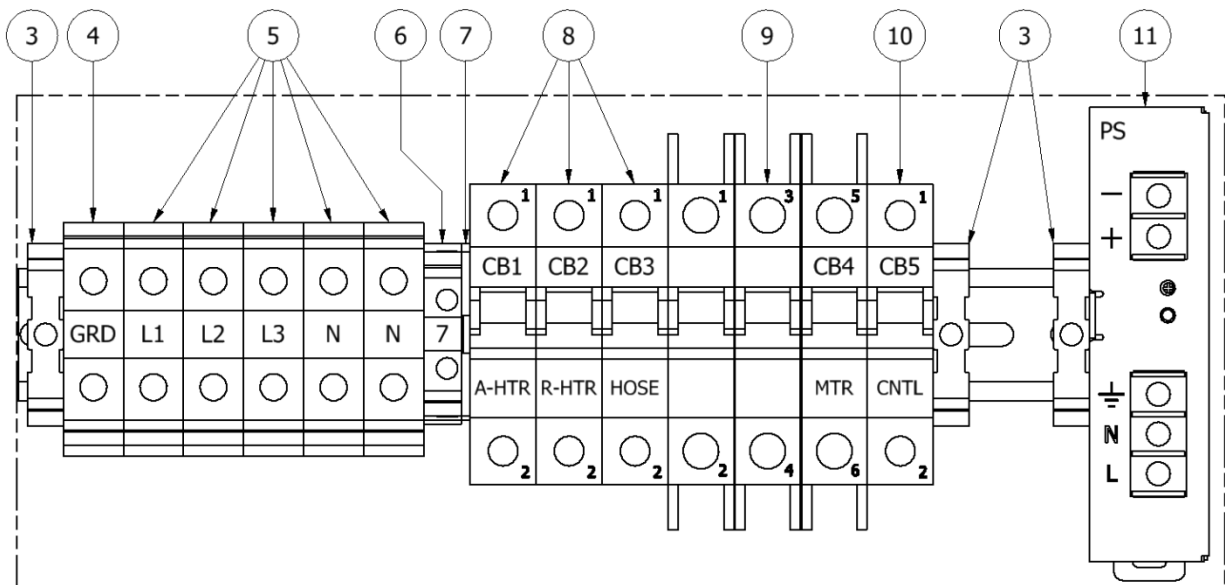
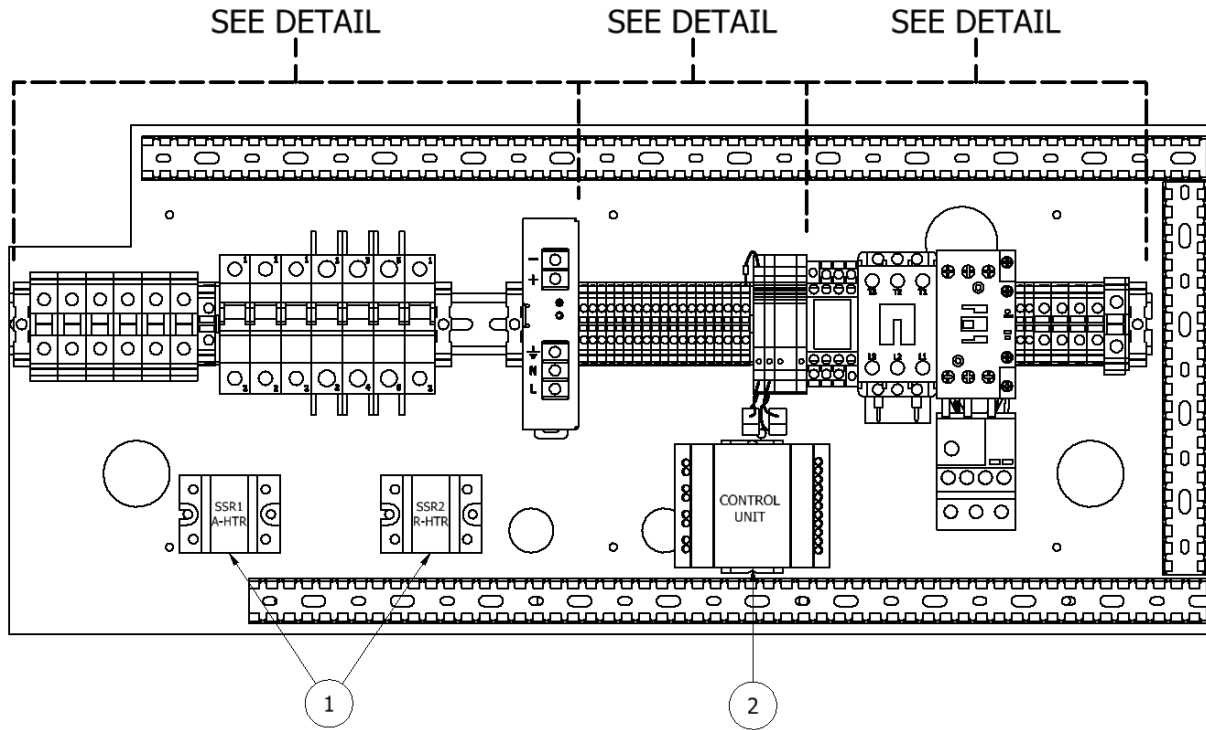
Component Identification

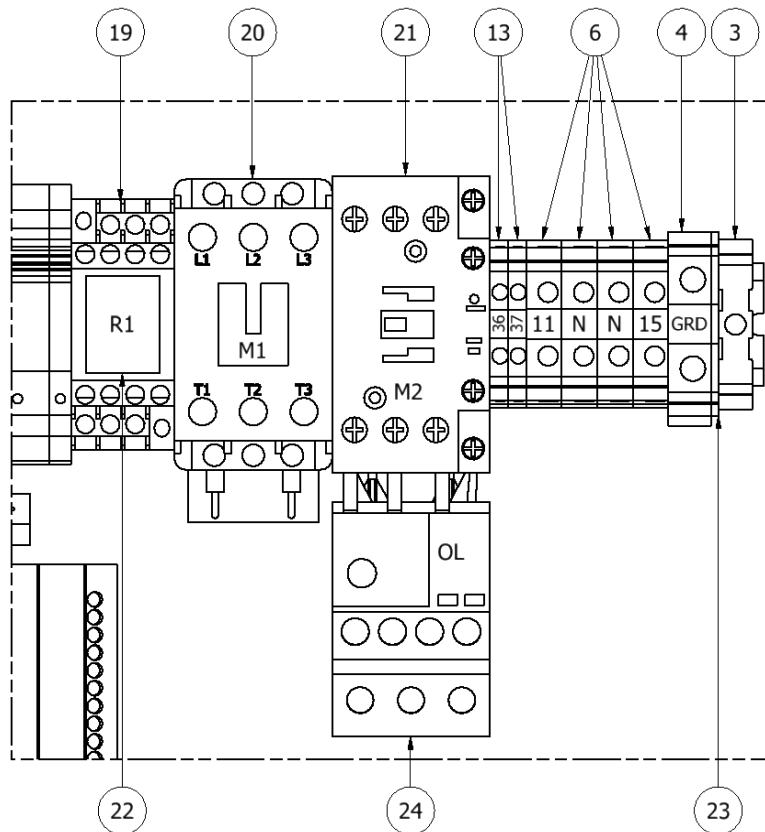
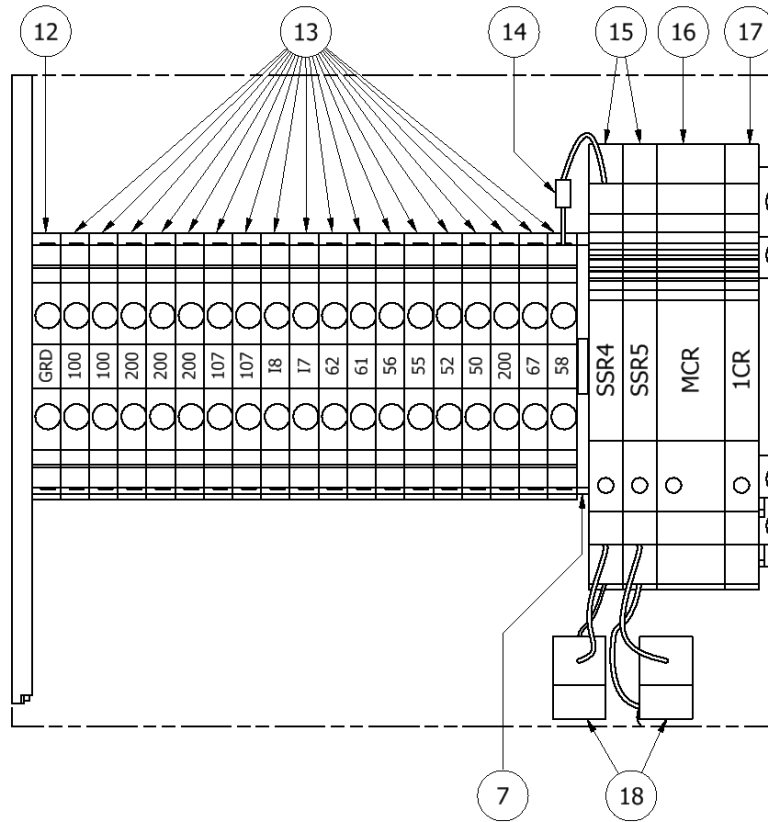
Front Panel (ALL CONSOLES)



COMPONENT LIST			
ITEM	QTY	PART NUMBER	DESCRIPTION
1	2	201154	TEMPERATURE CONTROLLER, HTR
2	1	201155	TEMPERATURE CONTROLLER, HOSE
3	1	201157	COUNTER, COUNTDOWN, PROGRAMMED, OMRON
4	5	201215	LIGHT UNIT, RED, 24VDC
5	1	201216	LIGHT UNIT, WHITE, 24VDC
6	1	201217	CYCLE COUNTER
7	1	201218	E-STOP PUSH-TWIST
8	1	201219	CONTACT BLOCK, NON-LIGHTED SPST-NC
9	14	201221	CONTACT BLOCK, NO, PUSH IN
10	7	201222	LAMP HOLDER, PUSH-IN
11	4	201223	22M SWITCH, 2 POS RED, MANUAL
12	7	201224	MOUNTING COLLAR, 22M
13	1	201225	22M SWITCH, 3 POS WHITE, MANUAL
14	1	201226	22M SWITCH, 3 POS RED, MANUAL
15	1	201227	22M SWITCH, 2 POS GREEN, MANUAL
16	1	201228	LIGHT UNIT, GREEN, 240VDC
17	2	201229	LIGHT UNIT, ORANGE, 24VDC
18	1	201257	LIGHT UNIT, GREEN, 24VDC
19	1	201301	LED LIGHT, GREEN, 24VDC
20	1	201302	LIGHT UNIT, RED, 24VDC
21	1	EL-100	ROTARY DISCONNECT; 80A; 3 POLE
22	1	EL-101	ROTARY DISCONNECT; 80A; 3 POLE
23	1	EL-103	DOOR MOUNTING KIT
24	1	EL-105	SELECTOR HANDLE; RED
25	4	EL-105_1	SCREW
26	4	EL-105_2	WASHER
27	1	EL-105_3	NUT
28	4	EL-105_4	GASKET
29	1	EL-196	SWITCH, ROTARY, 7 POS, 15A
30	1	EL-197	KNOB, ¼ Dia. BLACK

Bottom Plate (PH-25 & PHX-25 ONLY)

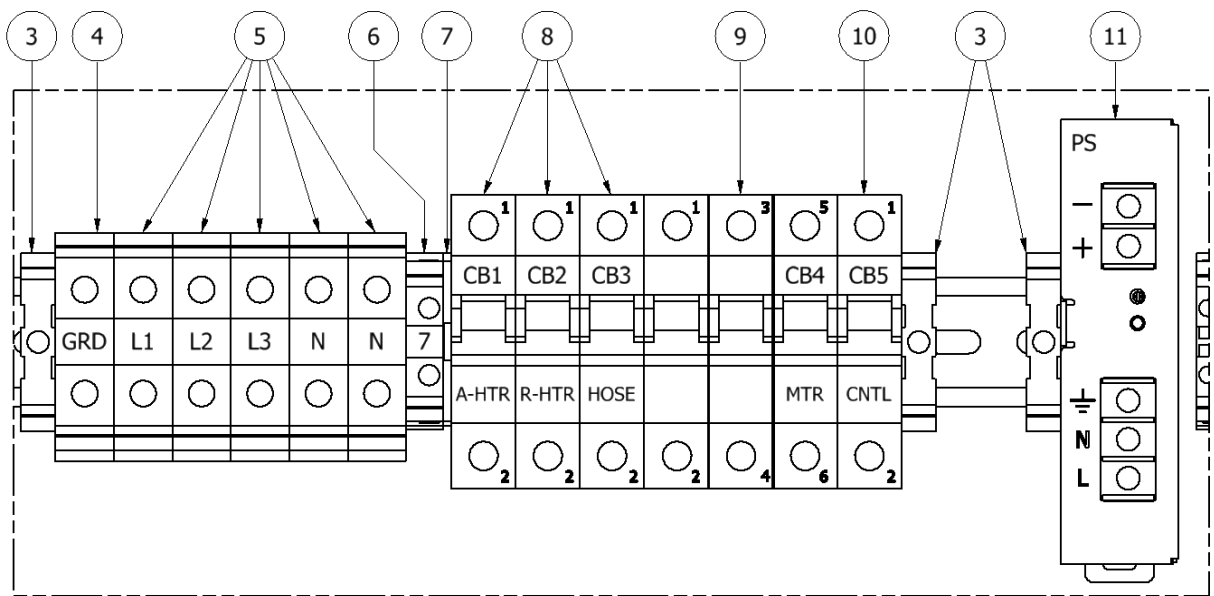
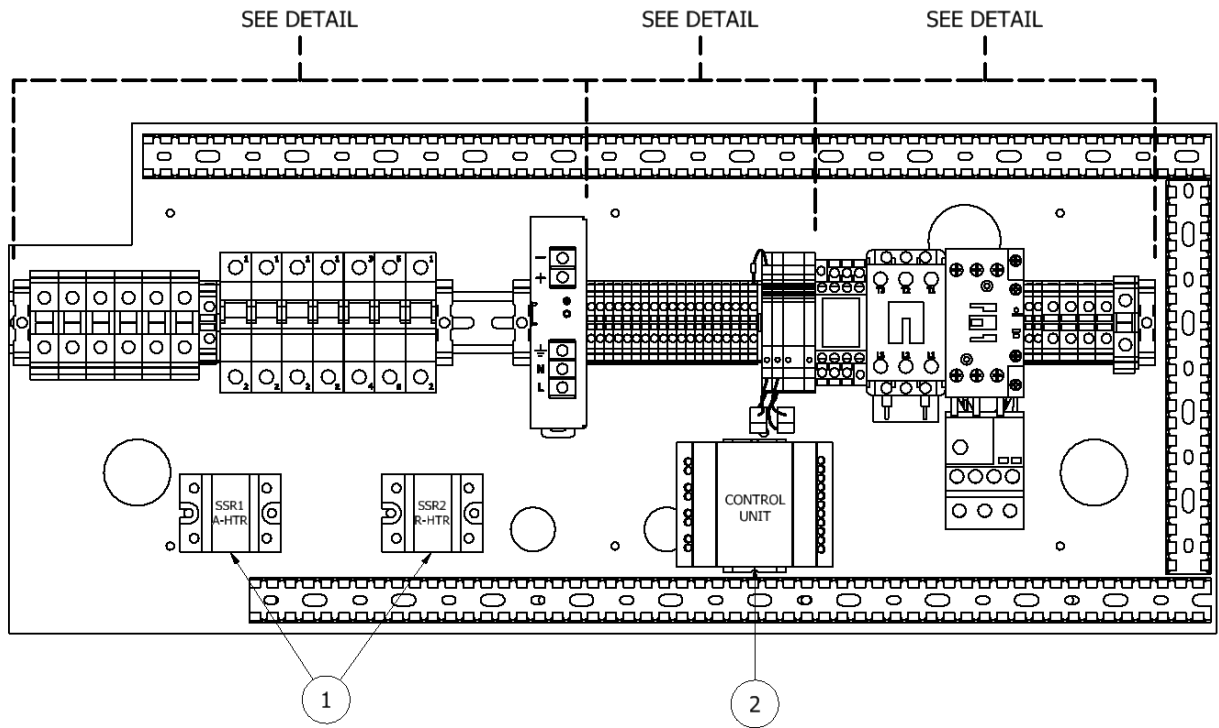


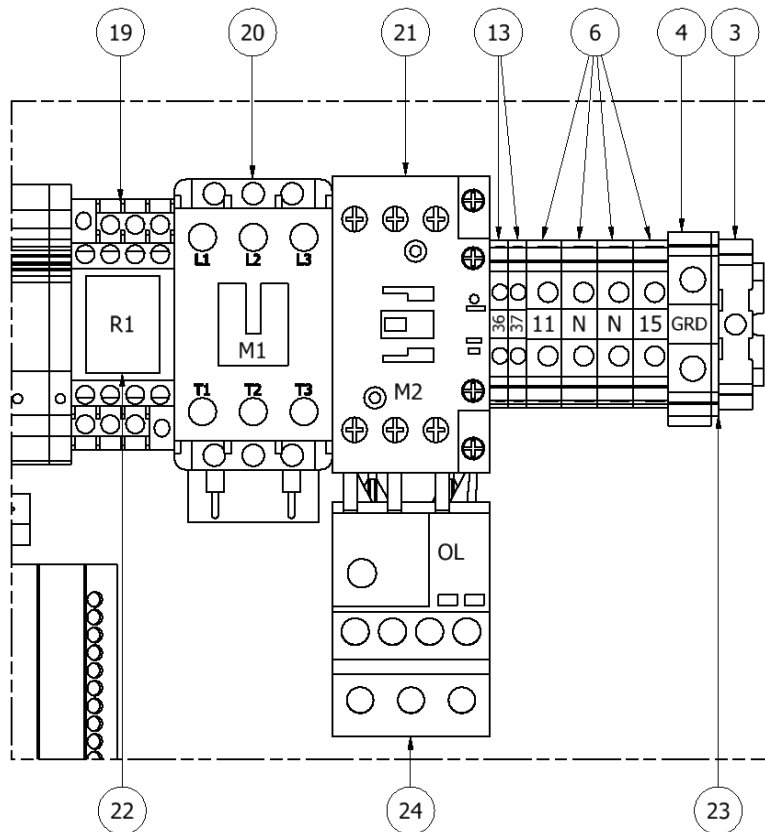
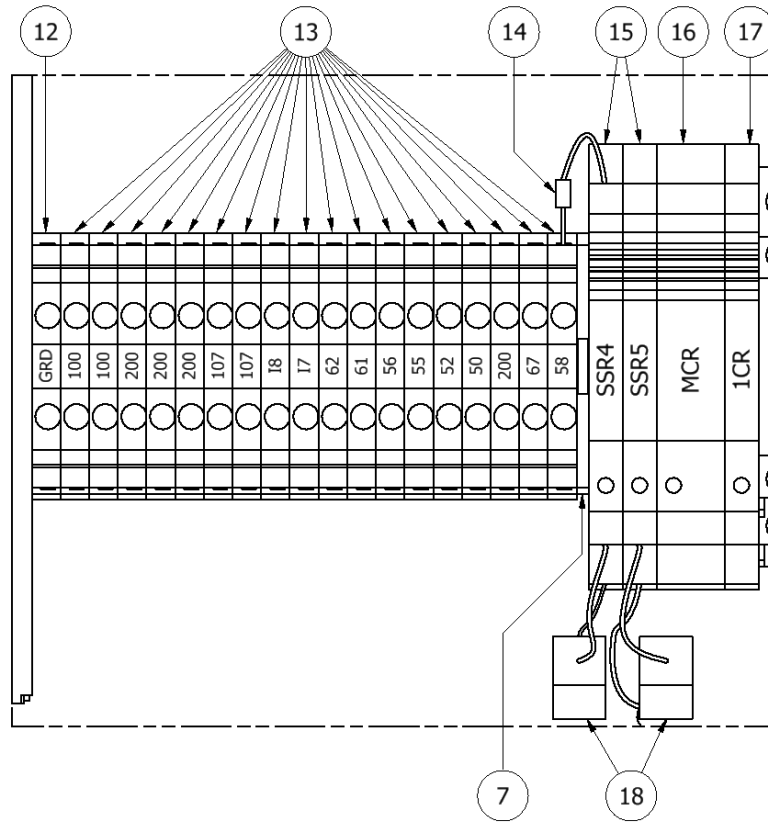


COMPONENT LIST			
ITEM	QTY	PART NUMBER	DESCRIPTION
1	2	EL-35	RELAY; 100AMP, 480V
2	1	EL-194-1	PROGRAMMED; EZ RELAY
3	4	EL-152	END STOP; 35MM
4	1	EL-146	TERMINAL BLOCK; 16MM; GROUND
5	5	EL-143	TERMINAL BLOCK; 16MM
6	5	EL-141	TERMINAL BLOCK; 10.2MM
7	2	EL-156-10	TERMINAL COVER; 10MM/5.2MM
8	3	EL-191	CIRCUIT BREAKER; 32A, 1 POLE
9	1	EL-186	CIRCUIT BREAKER; 20A, 3 POLE
10	1	EL-162	CIRCUIT BREAKER; 3A, 1 POLE
11	1	EL-122	POWER SUPPLY; 2.5A;230VAC/24VDC
12	1	EL-144	TERMINAL BLOCK; 5.2MM; GRND
13	20	EL-140	TERMINAL BLOCK; 5.2MM
14	1	EL-171	DIODE RECTIFIER 1000V; 1A
15	2	EL-160	SS RELAY; 24VDC; 2A
16	1	EL-174	SS RELAY; 24 VDC
17	1	EL-198	SS RELAY; 24 VDC
18	2	EL-172	RESISTOR; 220 OHM; 5%; 3W; MET
19	1	EL-155	RELAY SOCKET
20*	1	EL-125-EATON	CONTACTOR; 40A, 24VDC, EATON
	1	EL-125-CARLO	CONTACTOR; 40A, 24VDC, CARLO
21	1	EL-118	CONTACTOR; 32A; 24VDC COIL
	1	EL-119	CONTACTOR; 25A; 24VDC COIL
22	1	EL-154	LATCHING RELAY 24V
23	1	EL-156	END COVERS; 12MM TERM BLOCKS
24	1	EL-161	MOTOR OVERLOAD
25	1	EL-145	12MM GROUND BLOCK 15-4 AWG

*Older consoles will have Eaton™ contactors and newer consoles will have Carlo Gavazzi™ contactors. Note the manufacturer before ordering because they are not direct replacements for each other.

Bottom Plate (PH-40 & PHX-40 ONLY)



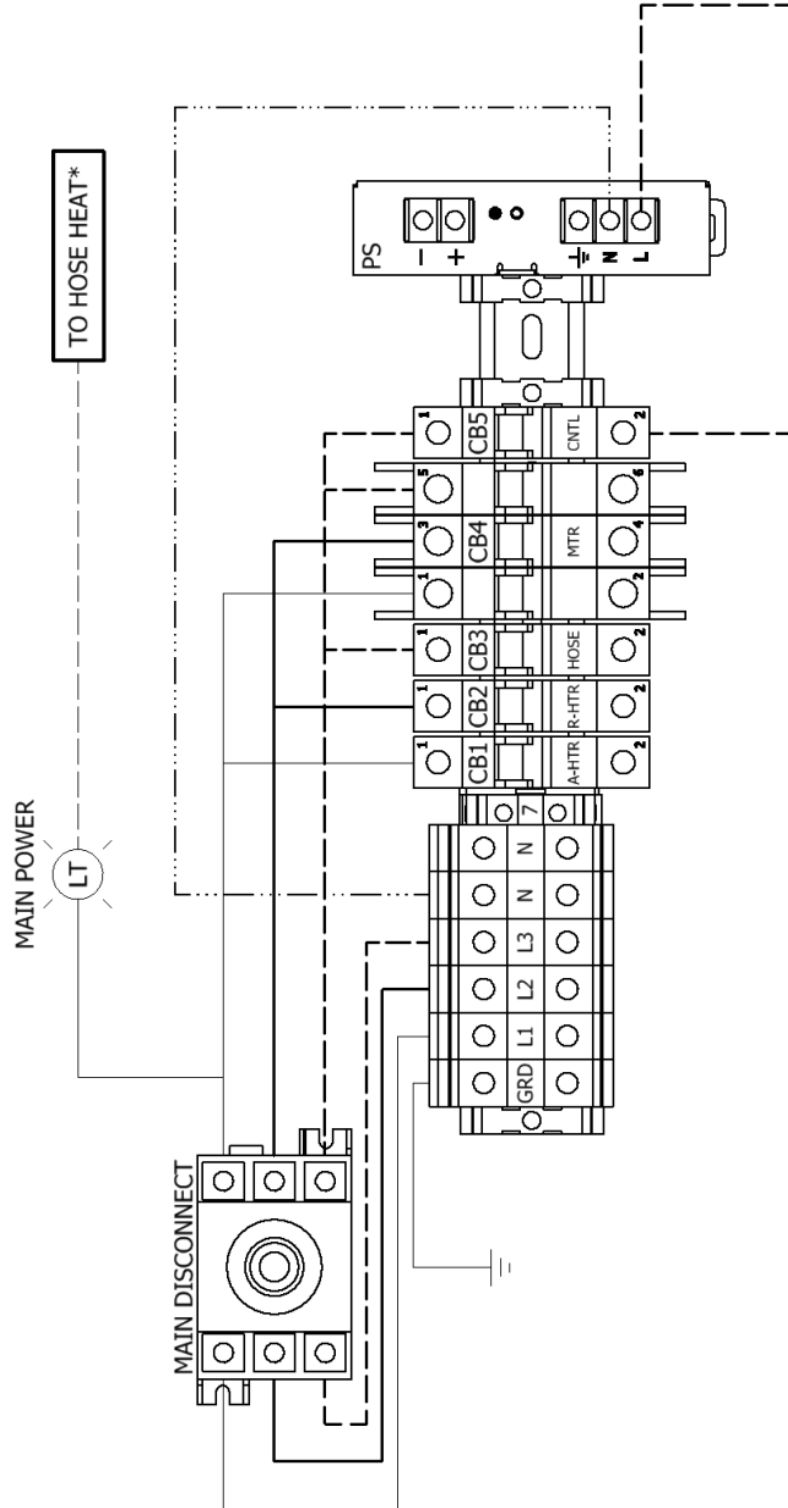


COMPONENT LIST			
ITEM	QTY	PART NUMBER	DESCRIPTION
1	2	EL-35	RELAY; 100AMP, 480V
2	1	EL-194-1	PROGRAMMED; EZ RELAY
3	4	EL-152	END STOP; 35MM
4	2	EL-146	TERMINAL BLOCK; 16MM; GROUND
5	5	EL-143	TERMINAL BLOCK; 16MM
6	5	EL-141	TERMINAL BLOCK; 10.2MM
7	2	EL-156-10	TERMINAL COVER; 10MM/5.2MM
8	3	EL-185	SINGLE POLE 50 AMP BREAKER
9	1	EL-187	3 POLE 32 AMP BREAKER
10	1	EL-186	SINGLE POLE 3 AMP BREAKER
11	1	EL-122	POWER SUPPLY; 2.5A;230VAC/24VDC
12	1	EL-144	TERMINAL BLOCK; 5.2MM; GRND
13	20	EL-140	TERMINAL BLOCK; 5.2MM
14	1	EL-171	DIODE RECTIFIERL 1000V; 1A
15	2	EL-160	SS RELAY; 24VDC; 2A
16	1	EL-174	SS RELAY; 24 VDC
17	1	EL-198	SS RELAY; 24 VDC
18	2	EL-172	RESISTOR; 220 OHM; 5%; 3W; MET
19	1	EL-155	RELAY SOCKET
20*	1	EL-125-EATON	CONTACTOR; 40A, 24VDC, EATON
	1	EL-125-CARLO	CONTACTOR; 40A, 24VDC, CARLO
21	1	EL-118	CONTACTOR; 32A; 24VDC COIL
	1	EL-119	CONTACTOR; 25A; 24VDC COIL
22	1	EL-154	LATCHING RELAY 24V
23	1	EL-156	END COVERS; 12MM TERM BLOCKS
24	1	EL-161	MOTOR OVERLOAD

*Older consoles will have Eaton™ contactors and newer consoles will have Carlo Gavazzi™ contactors. Note the manufacturer before ordering because they are not direct replacements for each other.

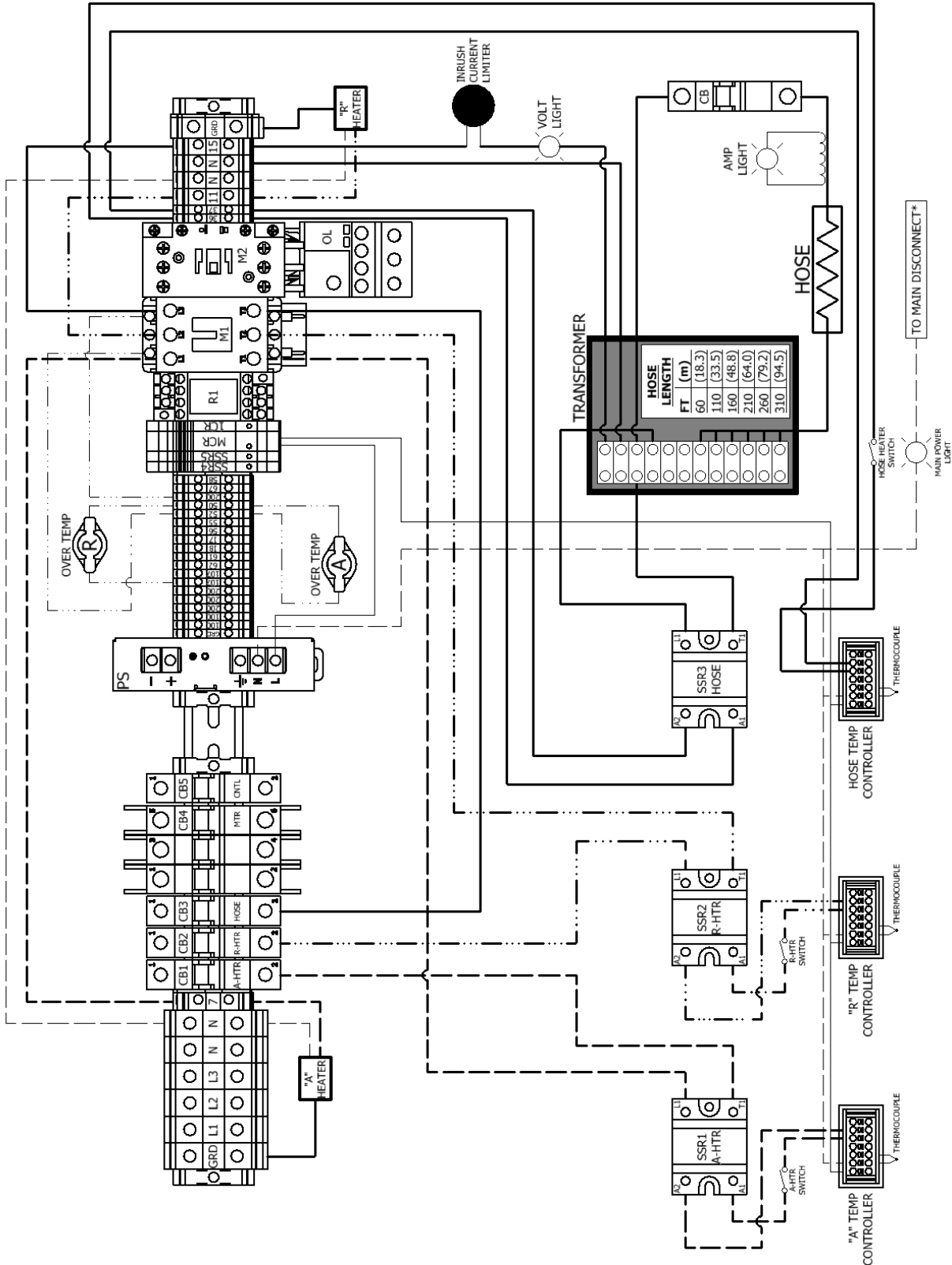
Point to Point Diagrams (PH-25 & PHX-25 ONLY)

Incoming Power



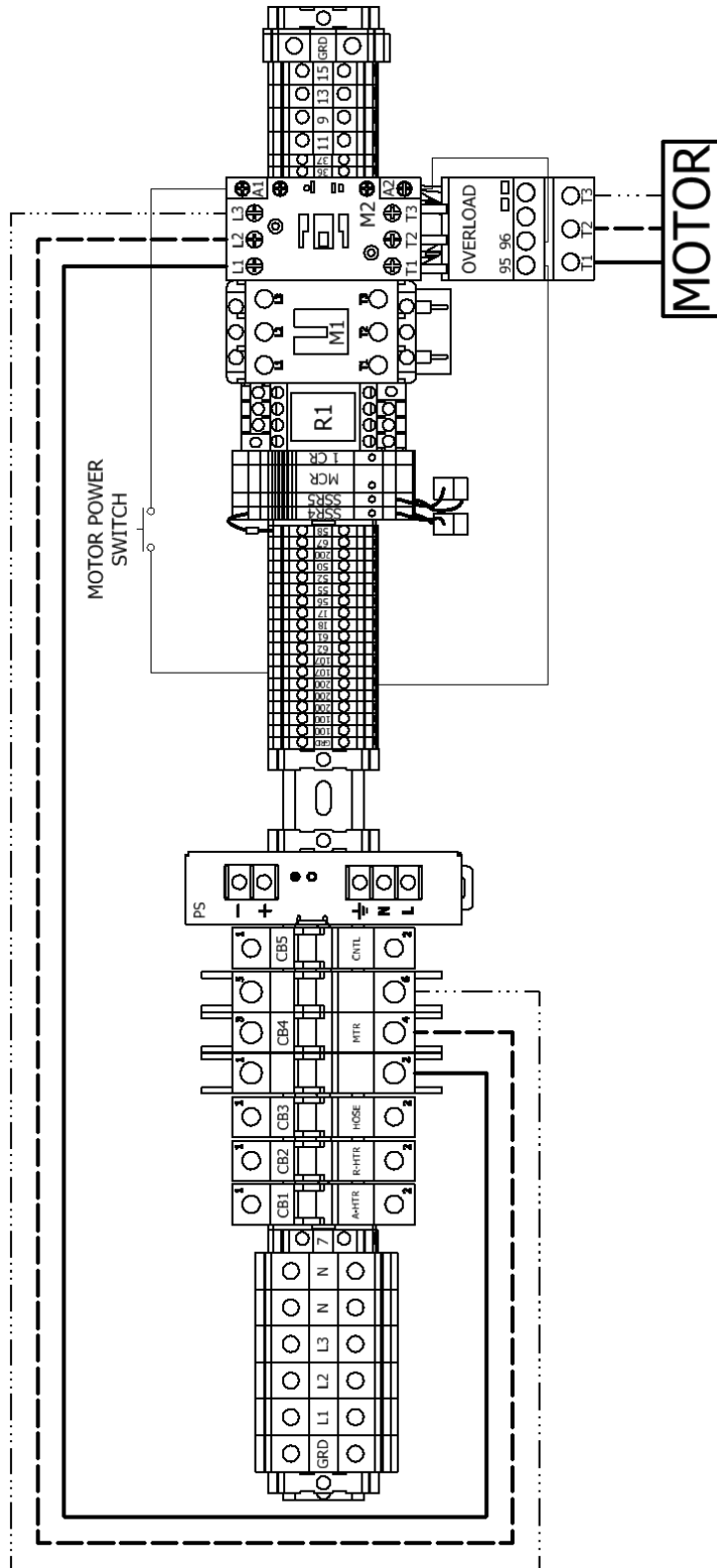
*See Heater Circuit (Pg. 64)

Heater Circuit



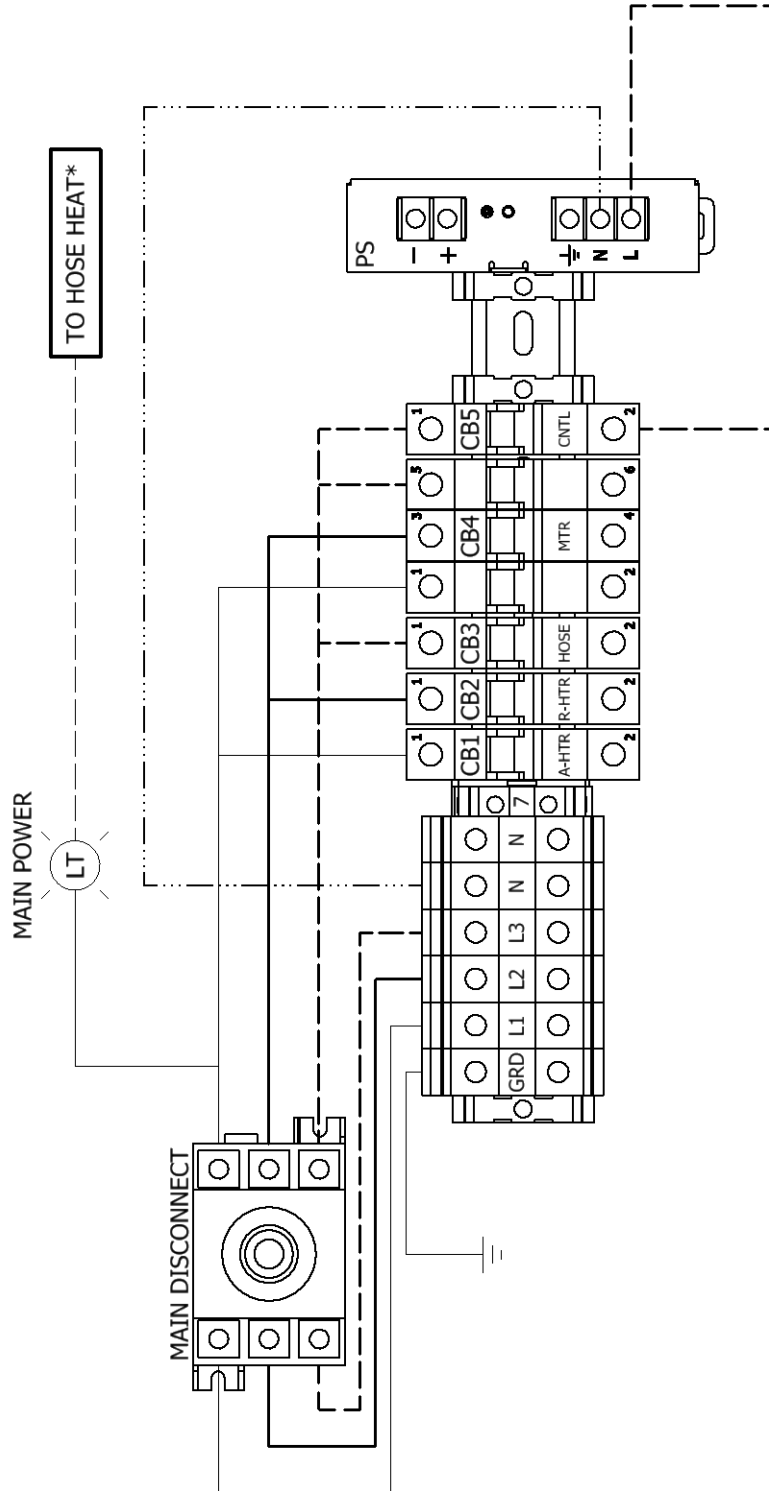
*See Incoming Power (Pg. 63)

Motor Circuit



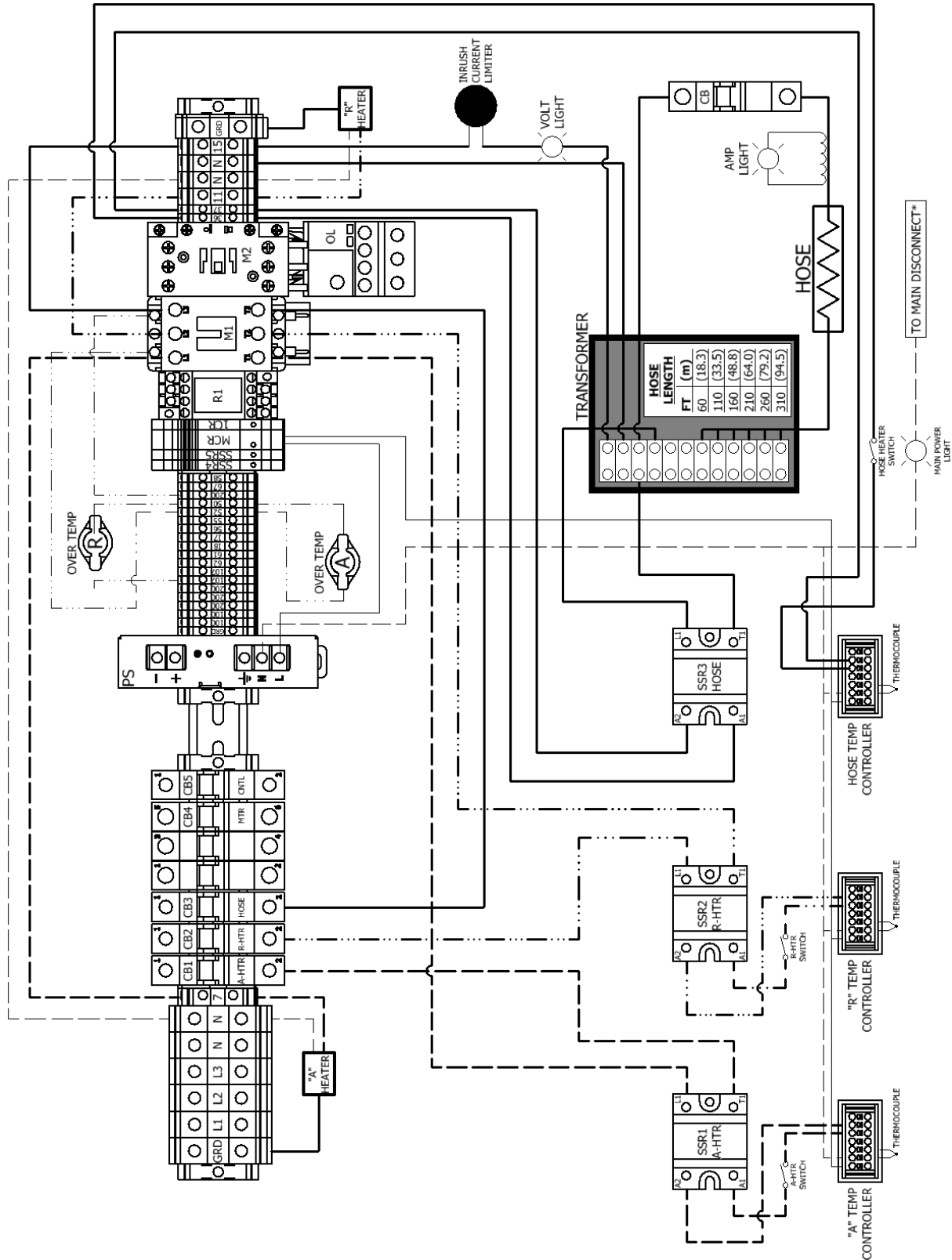
Point to Point Diagrams (PH-40 & PHX-40 ONLY)

Incoming Power



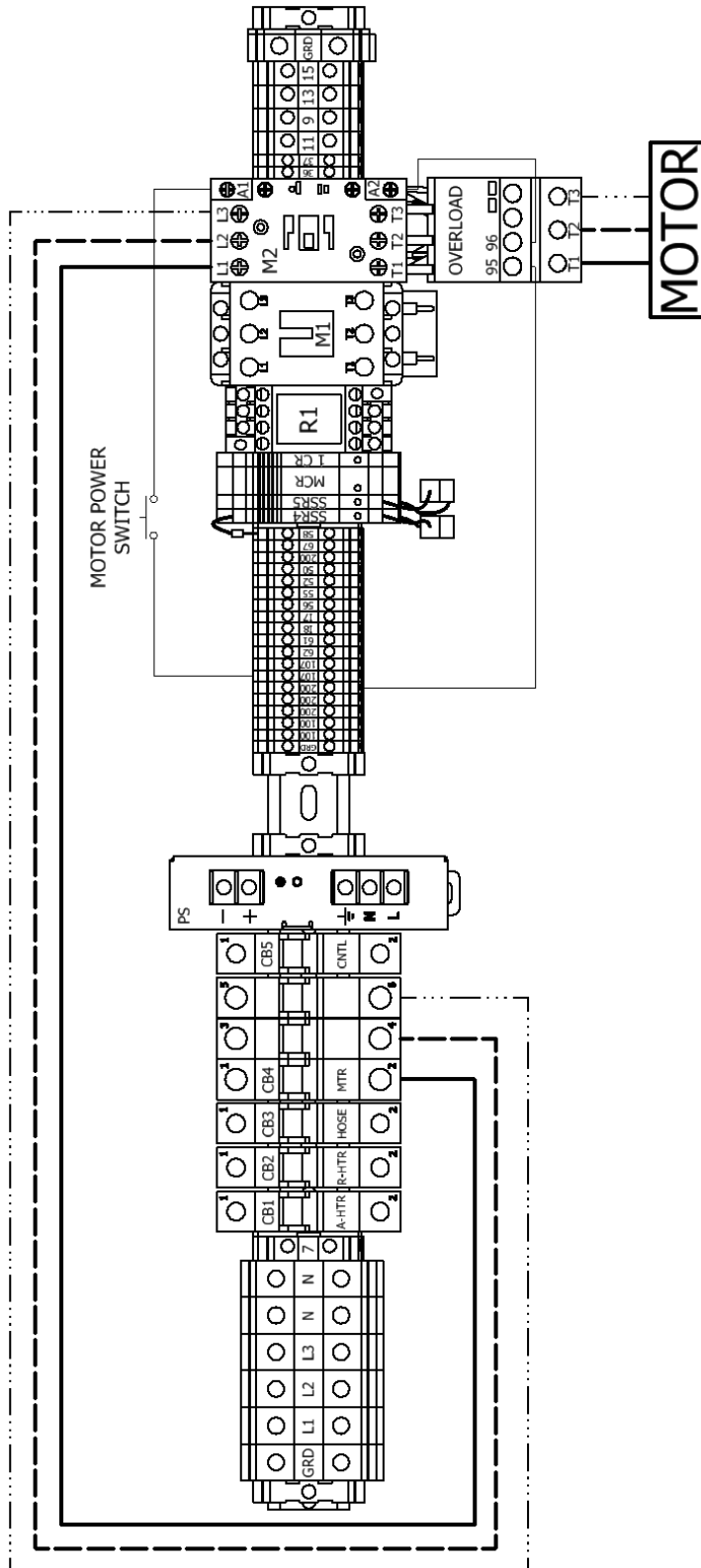
*See Heater Circuit (Pg. 67)

Heater Circuit



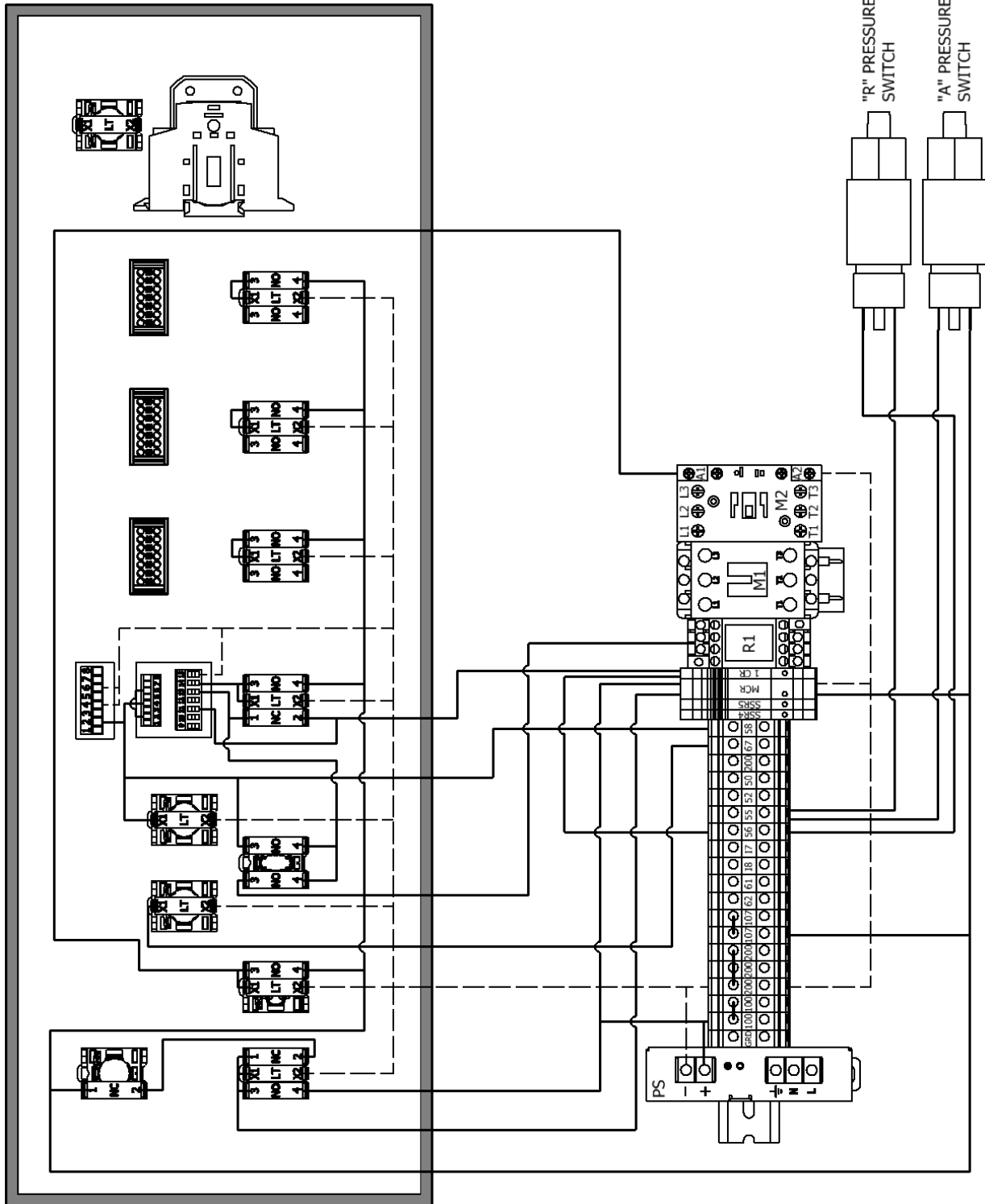
*See Incoming Power (Pg. 66)

Motor Circuit

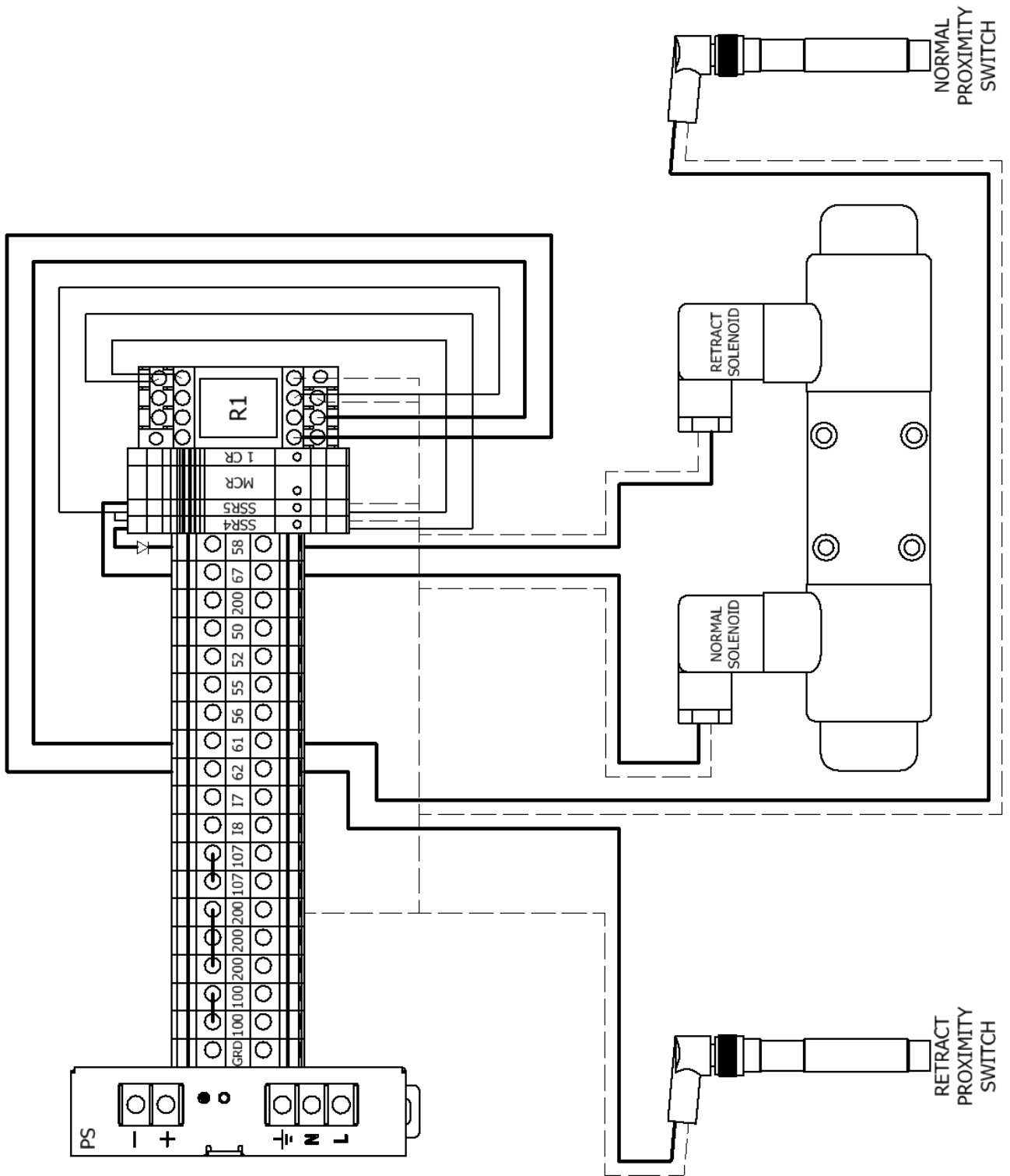


Point to Point Diagrams (ALL CONSOLES)

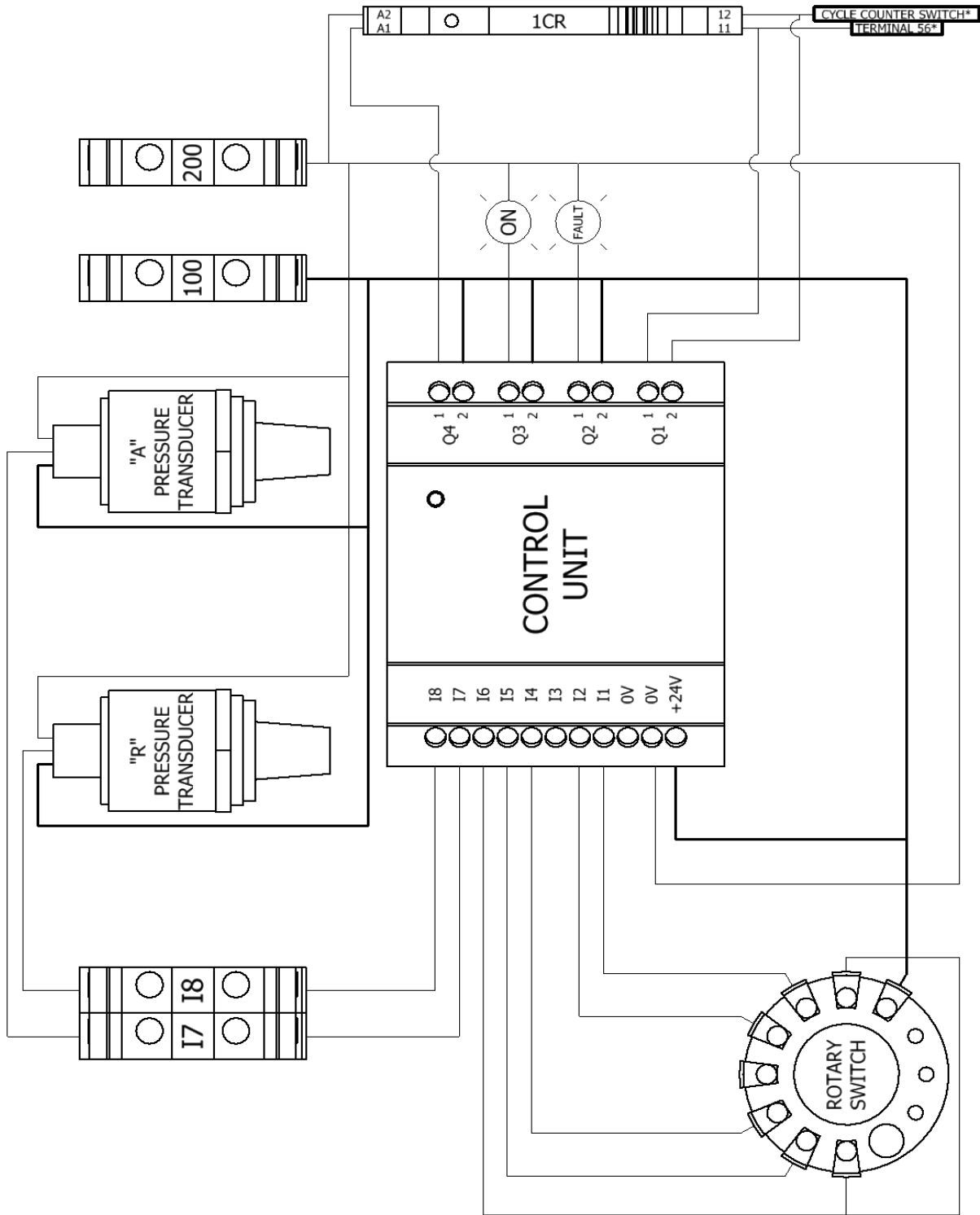
24 VDC Power Circuit



Pump Circuit



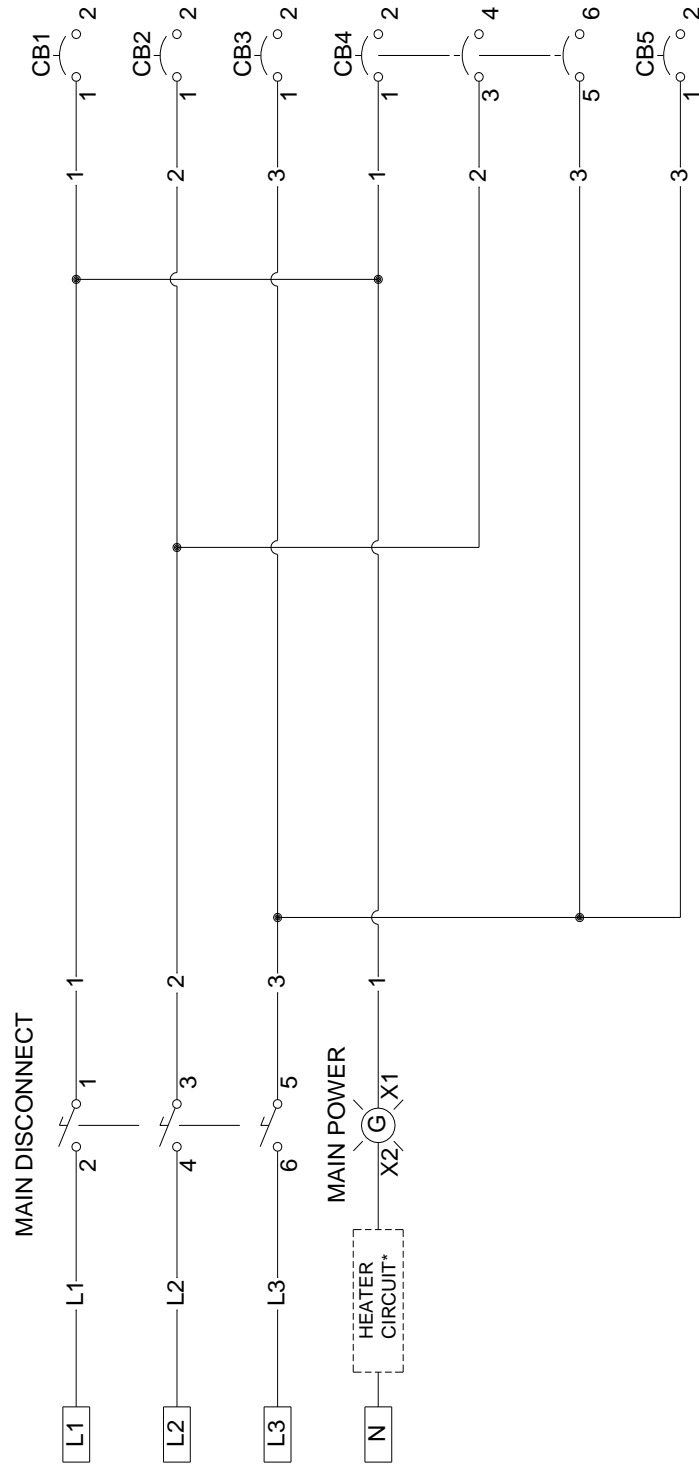
Pressure Balance Control Circuit



*See 24 VDC Power Circuit (Pg. 69)

Ladder Diagrams - (ALL CONSOLES)

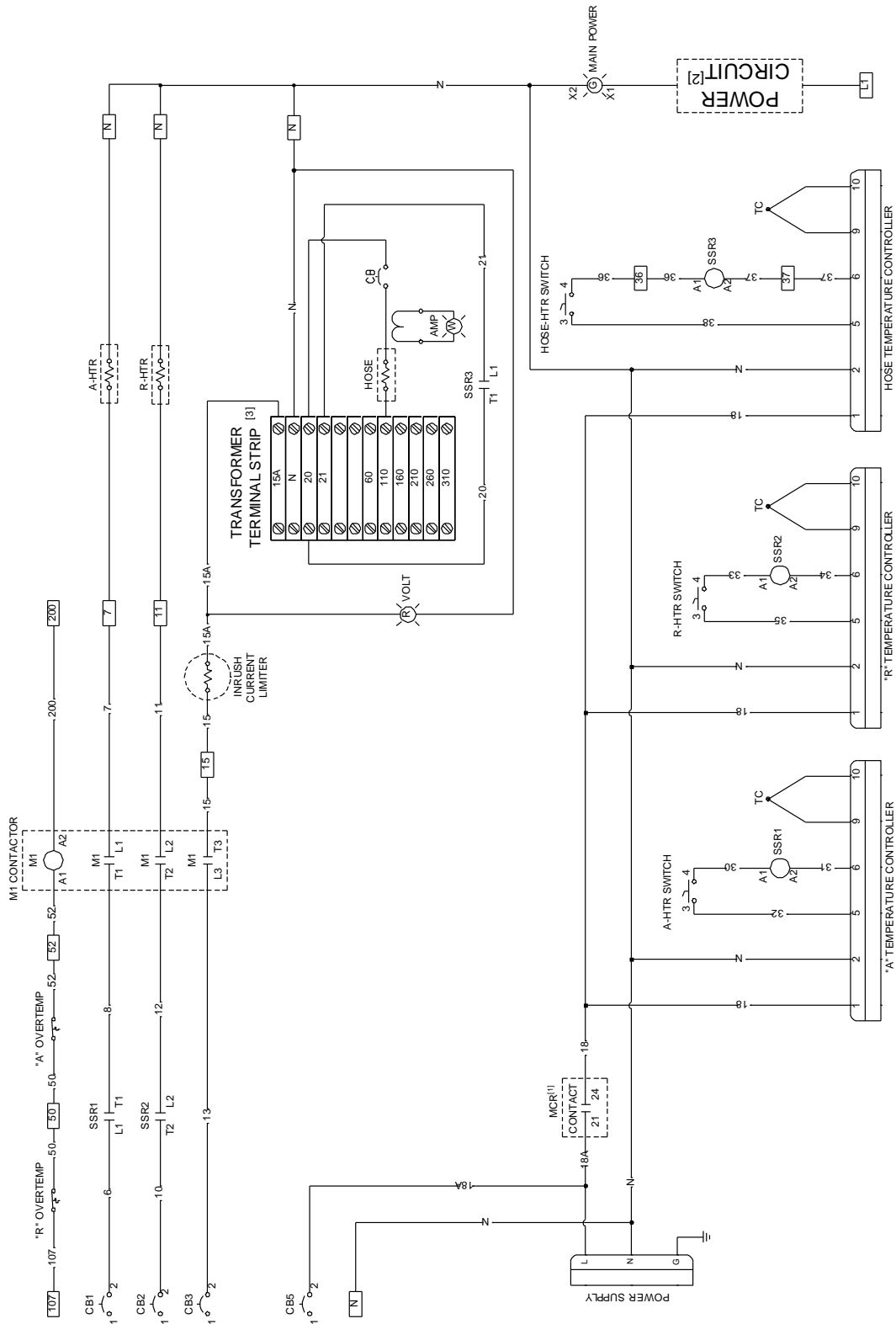
Incoming Power



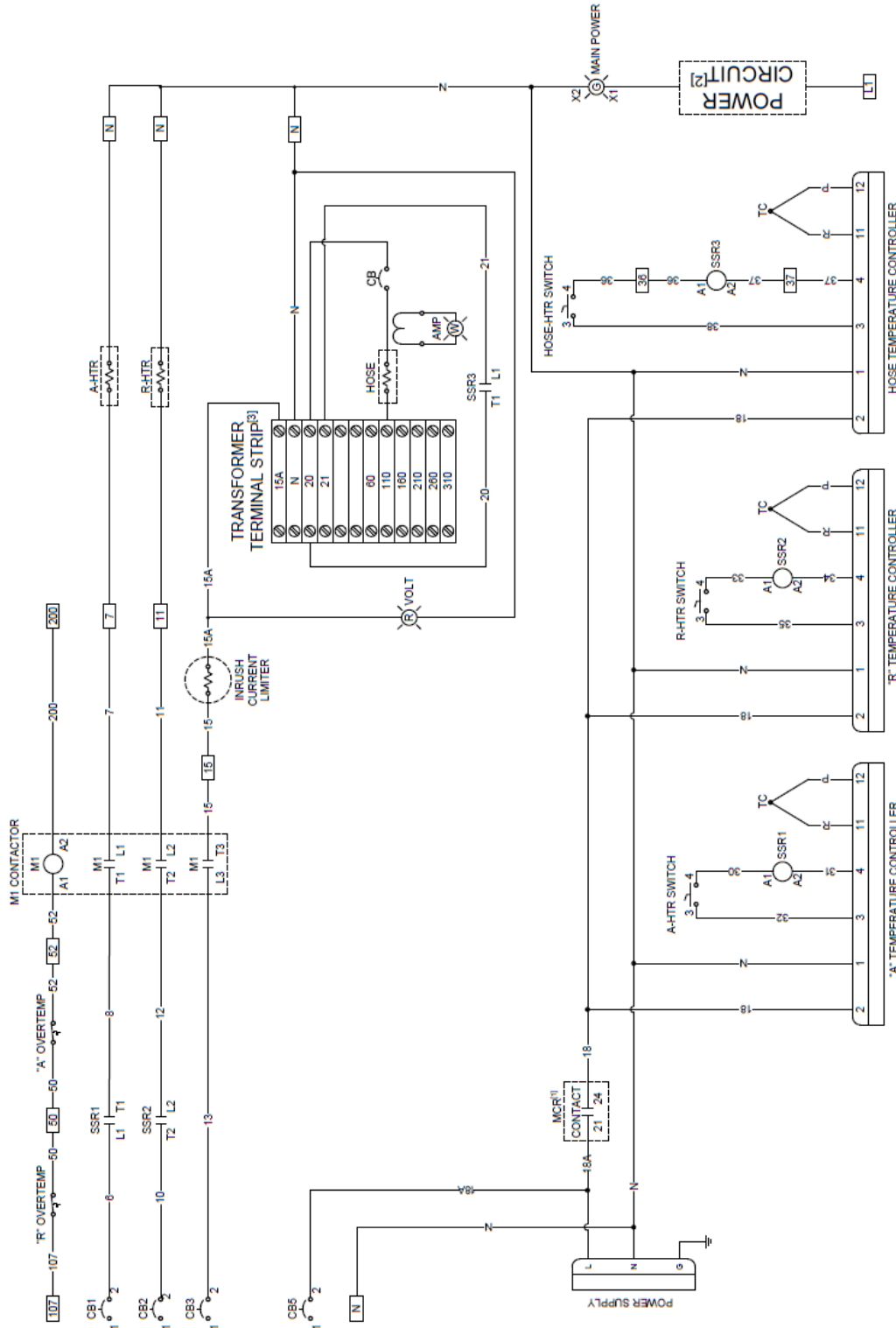
*See Heater Circuit (Pg. 73)

Heater Circuit

EATON CONTROLLER



OMRON CONTROLLER

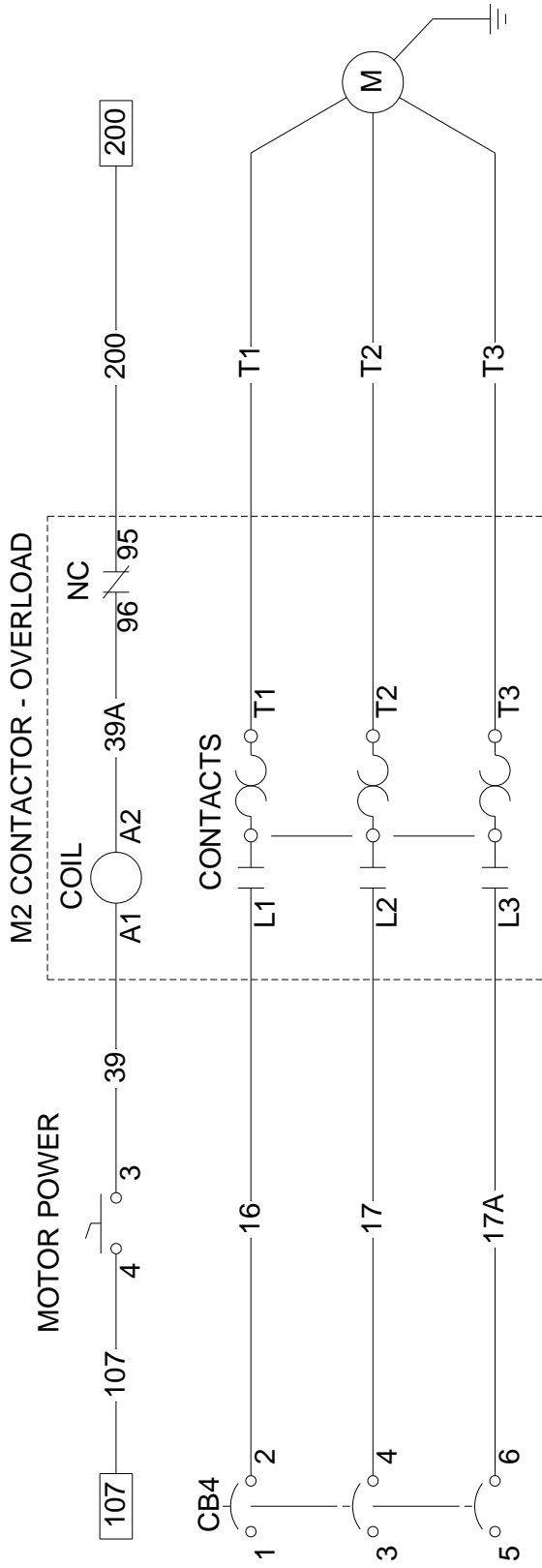


¹See 24 VDC Power Circuit (Pg. 76) for complete MCR wire connections

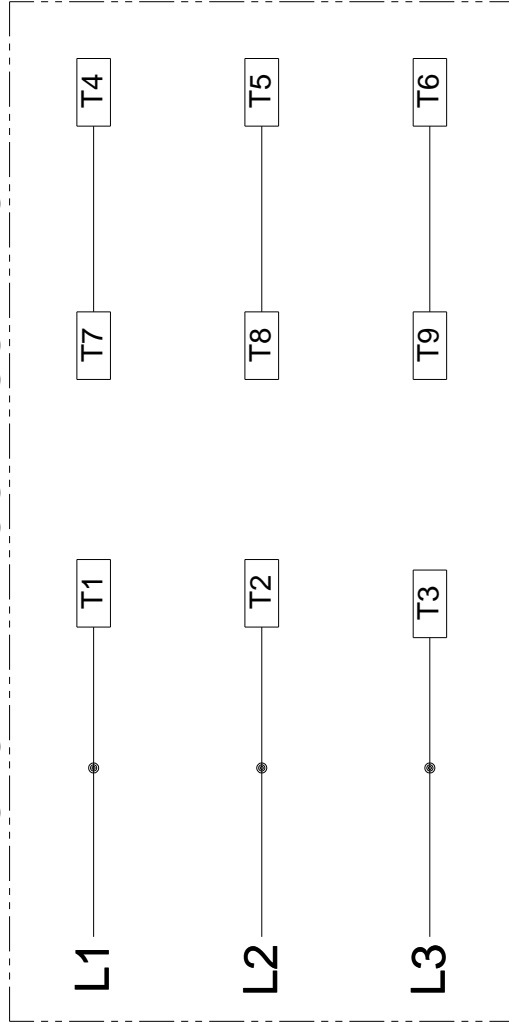
²See Incoming Power (Pg. 72)

³PH-40 & PHX-40 machines include two additional hose tap terminals for hose lengths of 360 and 410 feet.

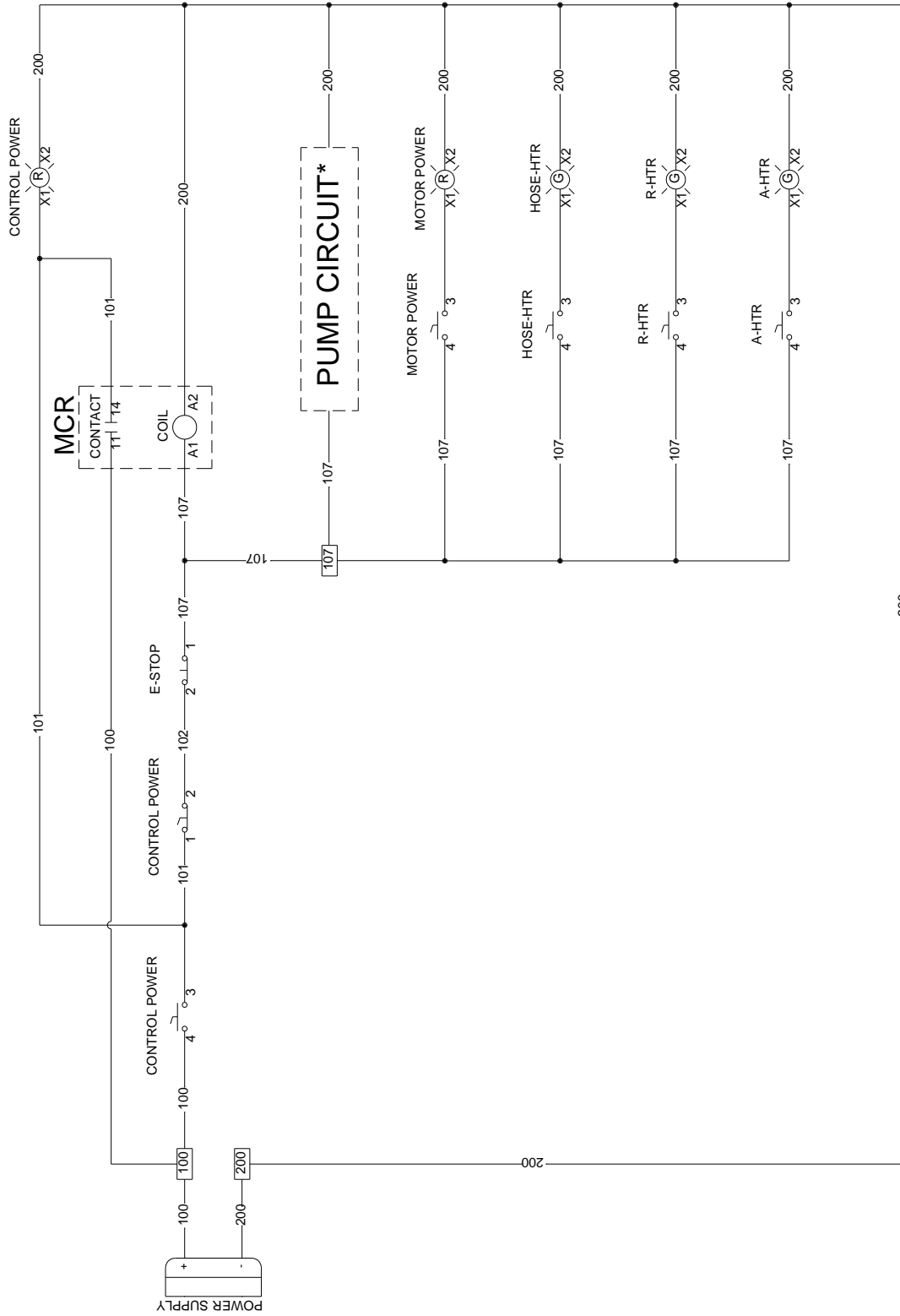
Motor Circuit



MOTOR WIRE CONFIGURATION

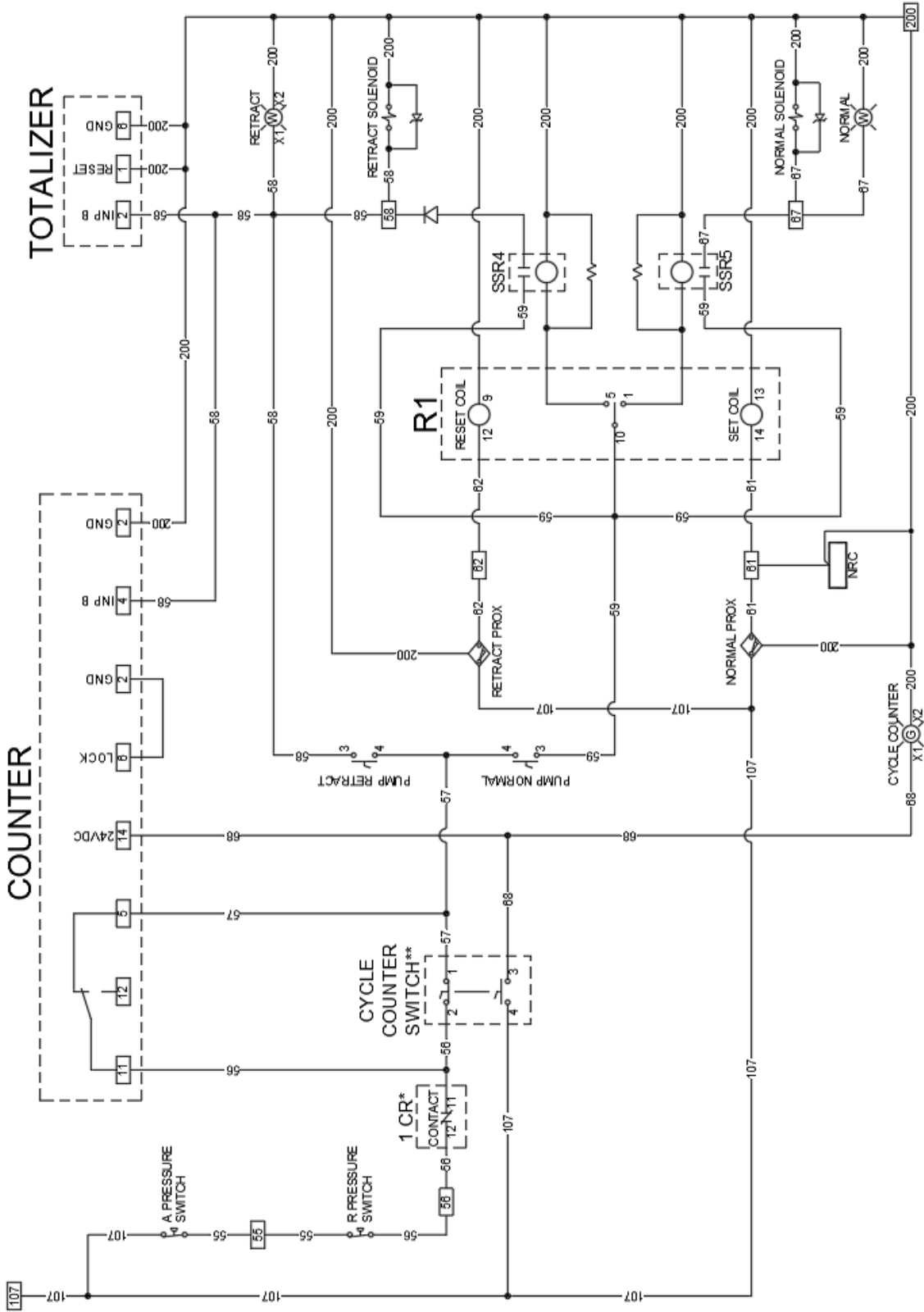


24 VDC Power Circuit



*See Pump Circuit (Pg. 77)

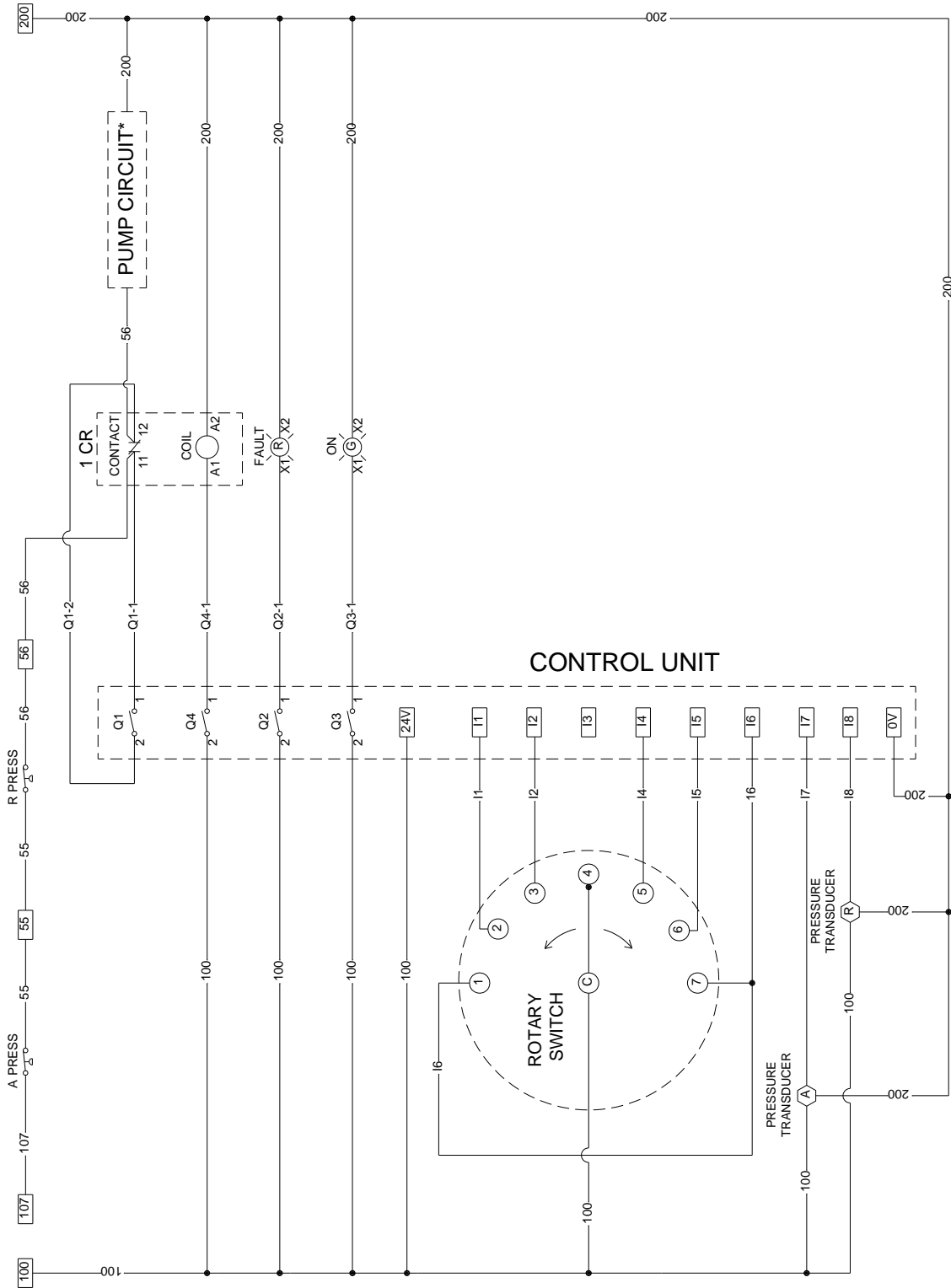
Pump Circuit



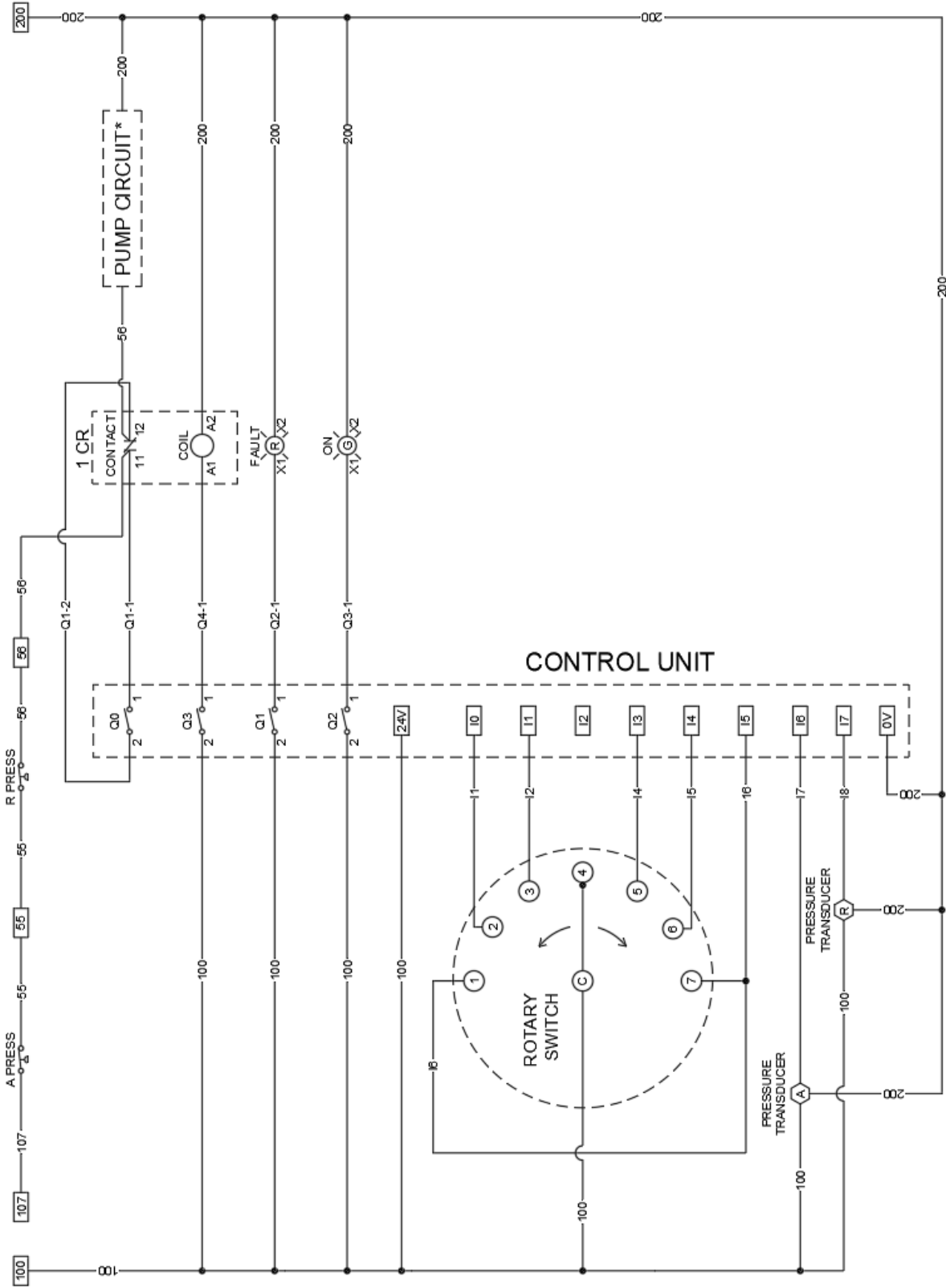
*See Pressure Balance Control Circuit (Pg. 78) for complete 1 CR wire connections

**When the cycle counter switch is turned " ON" , the NC switch opens and the NO switch closes simultaneously

Pressure Balance Control Circuit



CIRCUIT FOR EATON RELAY



CIRCUIT FOR IDEC RELAY