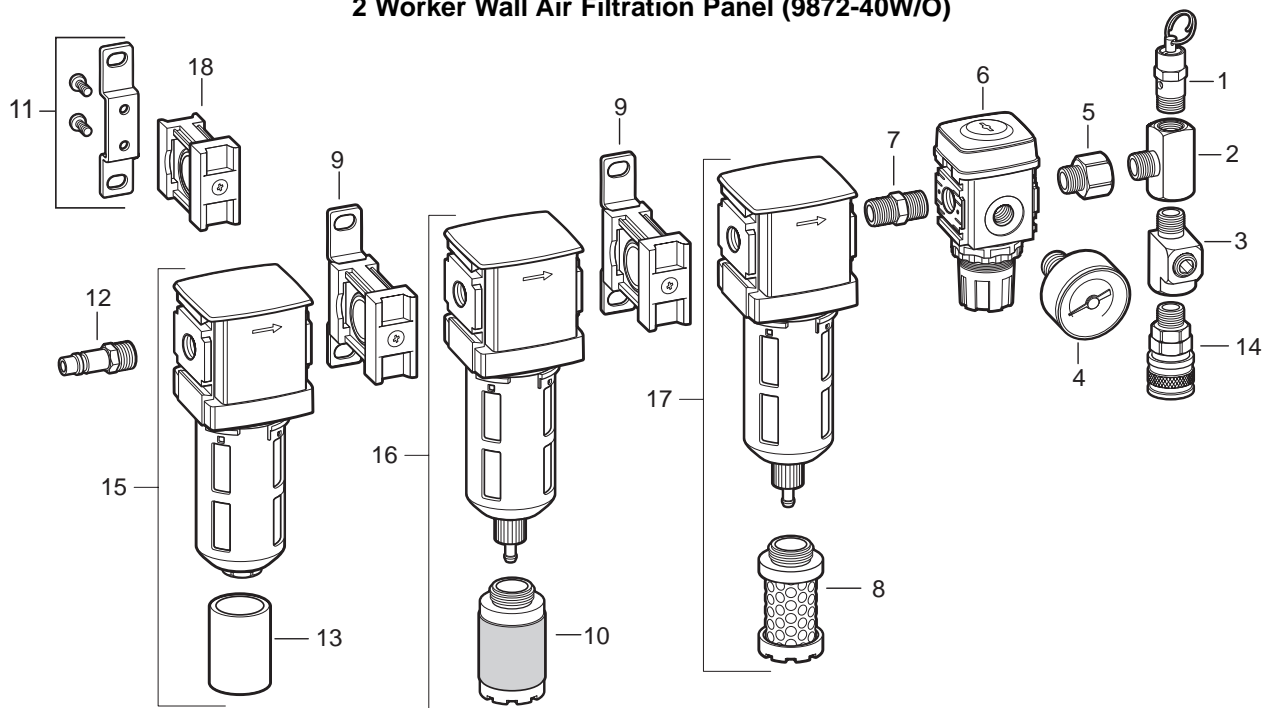


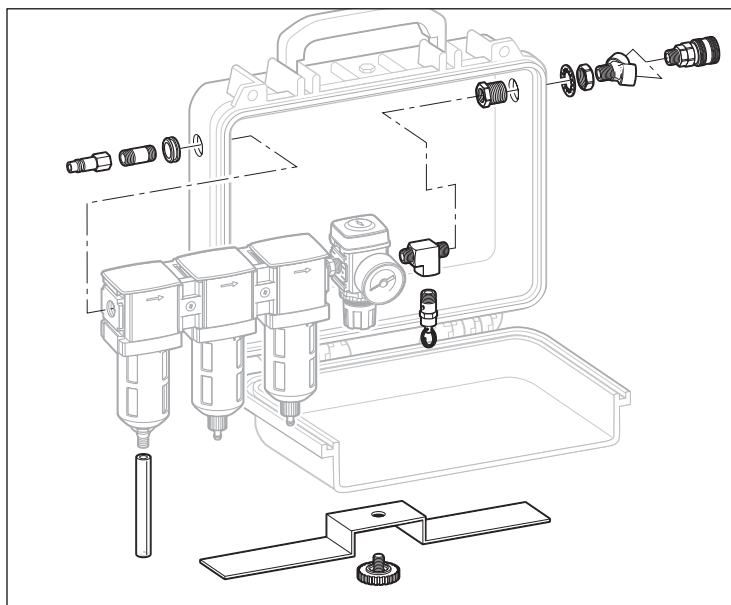
2 WORKER WALL AIR FILTRATION PANEL Without CO Monitor (9872-40W/O) 2 WORKER CARRY AIR Without CO Monitor (9872W/O)

2 Worker Wall Air Filtration Panel (9872-40W/O)



2 Worker Carry Air (9872W/O)

See Following Page for Part Numbers & Descriptions



Key Part #	Description	Key Part #	Description	Key Part #	Description
	9872-40W/O 2 Worker Wall Air w/o CO	7	9000-25 Hex Nipple		Parts and Accessories
	9872W/O 2 Worker Carry Air w/o CO	8	9872-33 .003 Micron Filter Element	15	
1	9875-09 Relief Valve (125 psi Set)	9	9860-41 Joiner Set (w/Bracket)	16	9872-04 2nd Stage Coalescing Filter Assembly
2	9875-23 Brass Tee	10	9872-32 .01 Micron Filter	17	9872-05 3rd Stage Carbon Filter Assembly
3	9872-27 Street Tee	11	9872-64 T-Bracket	18	9872-07 Joiner Set (w/o Bracket)
4	9872-08 Gauge	12	8400-04A Plug		9872-50 Replacement Filter Kit Includes 13 (2), 10, 8
5	9875-25 Adapter	13	9872-31 5 Micron Filter Element		
6	9872-06 Mini Regulator	14	Coupler (See Page 49)		